



S400



INSTRUCTION MANUAL
& REFERENCE GUIDE



INTRODUCTION

Serpent enters the competitive electric touring car market with the S400, which like all our previous cars, has been designed to win straight from the box. Featuring an ultra low center of gravity, optimised weight distribution, high performance geometry and top quality materials throughout, the S400 should see you in the winners circle in no time. In fact everything associated with this car is of the highest quality, from the packaging and supplied manuals, right through to the product and race support.

INSTRUCTIONS

Serpent's long tradition of excellence extends to their instruction manuals, and this instruction manual is no exception. The easy-to-follow layout is richly illustrated with 3D-rendered full-color images to make your building experience quick and easy. Following the instructions will result in a well-built, high-performance racecar that will soon be able to unleash its full potential at the racetrack.

SETUP

In certain assembly steps you need to make basic adjustments, which will give you a good initial setup for

your Serpent S400. Fine-tuning the initial setup is an essential part of building a high-performance racecar like your S400. The separate Serpent S400 Setup Book is an excellent resource to aid you in making those adjustments on your car.

EXPLODED VIEWS AND PARTS LIST

The exploded views and parts lists for the Serpent S400 are presented in the Reference Guide section in the back of this manual. The exploded views show all the parts of a particular assembly step along with the Serpent part number. The parts lists indicate the part number and name of each part for easy reference when ordering.

SAFETY

Included with your Serpent S400 kit is a document entitled "Read This First" that covers safety precautions for the assembly and use of this product. We strongly recommend that you thoroughly read and understand that document, and follow all the precautions.

SERPENT.COM

The printed instruction manual included with your Serpent S400 kit is very complete, though due to continuous product development, more up-to-date information may be provided at our Serpent.com website.

All information about the Serpent S400 is accessible from the Serpent S400 product page found on Serpent.com and can be accessed by simply typing **serpent.com/400001** into your web browsers address bar.

From the Serpent S400 product page you will find the very latest information about your Serpent S400: reports by team drivers and other experts, tips and tricks, setups, image gallery and downloadable files including the latest version of the instruction manual will be made available as downloadable PDF files.

CONTENTS

ASSEMBLY INSTRUCTIONS

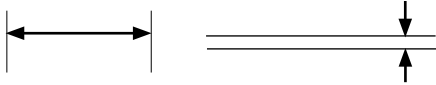
A	REAR ASSEMBLY	6
B	CENTRAL ASSEMBLY	16
C	FRONT ASSEMBLY	19
D	LINKAGE ASSEMBLY	24
E	SHOCK ASSEMBLY & MOUNTING	31
F	FINAL ASSEMBLY	37

REFERENCE GUIDE

>	REAR ASSEMBLY	45
>	CENTRAL ASSEMBLY	46
>	FRONT ASSEMBLY	47
>	LINKAGE ASSEMBLY	48
>	SHOCK ASSEMBLY	49
>	TOWER MOUNTING	50
>	FINAL ASSEMBLY	51
>	PARTS LIST	52

USING THE MANUAL

①



Step number; the order in which you should assemble the indicated parts

Length after assembly / Gap between two items



Assembly path of one item into another



Group of items (within lines) should be assembled first



Direction the item should be moved



Glue one item to another



Press/Insert one item into another



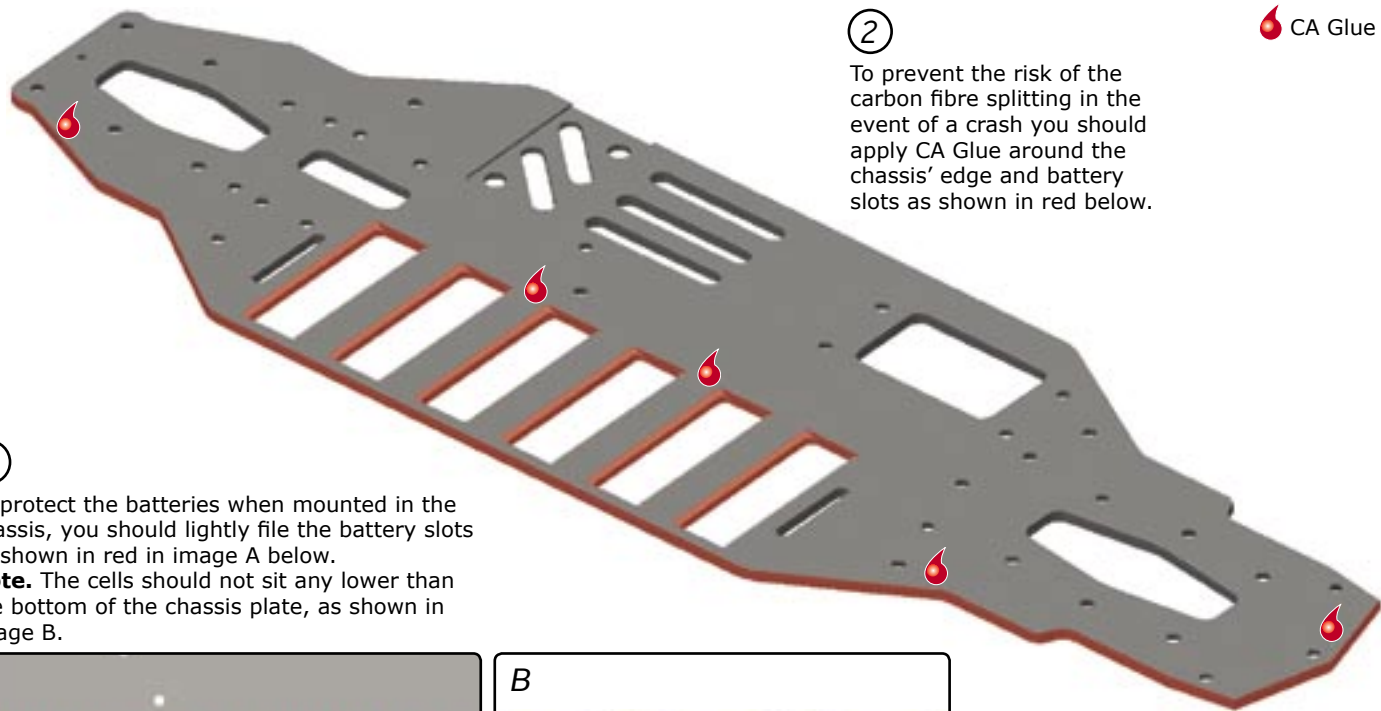
Connect one item to another



Apply transmission grease (Grey), threadlock* (Blue), CA glue* (Red) or differential grease (Orange). (*Items not included.)

ASSEMBLY INSTRUCTIONS

The title 'ASSEMBLY INSTRUCTIONS' is centered in a bold, orange, sans-serif font. Below the text, there are three wavy lines: one orange line that starts high on the left and curves down to the right, and two black lines that start lower on the left and curve up to the right, creating a layered, abstract graphic effect.

 CA Glue

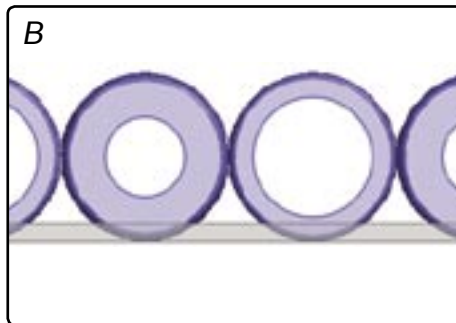
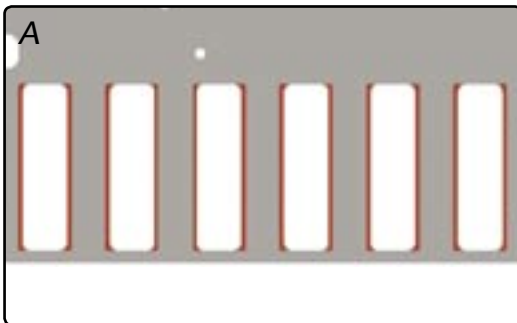
②

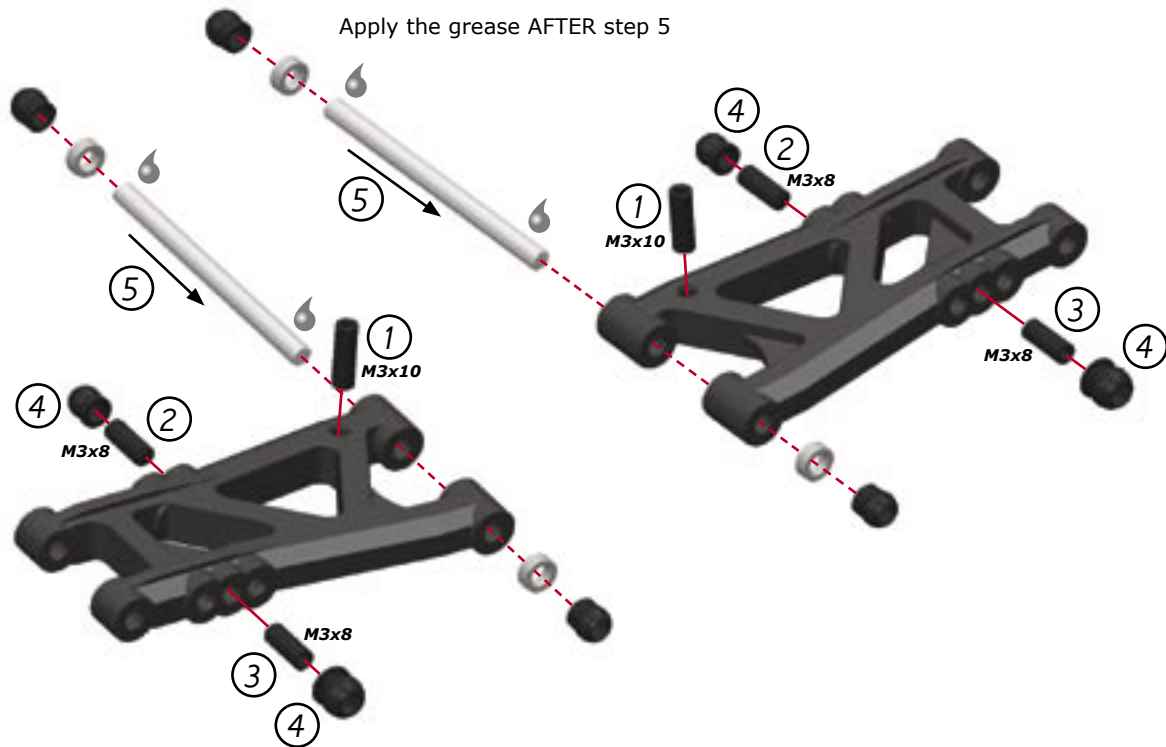
To prevent the risk of the carbon fibre splitting in the event of a crash you should apply CA Glue around the chassis' edge and battery slots as shown in red below.

①

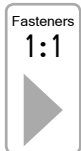
To protect the batteries when mounted in the chassis, you should lightly file the battery slots as shown in red in image A below.

Note. The cells should not sit any lower than the bottom of the chassis plate, as shown in image B.





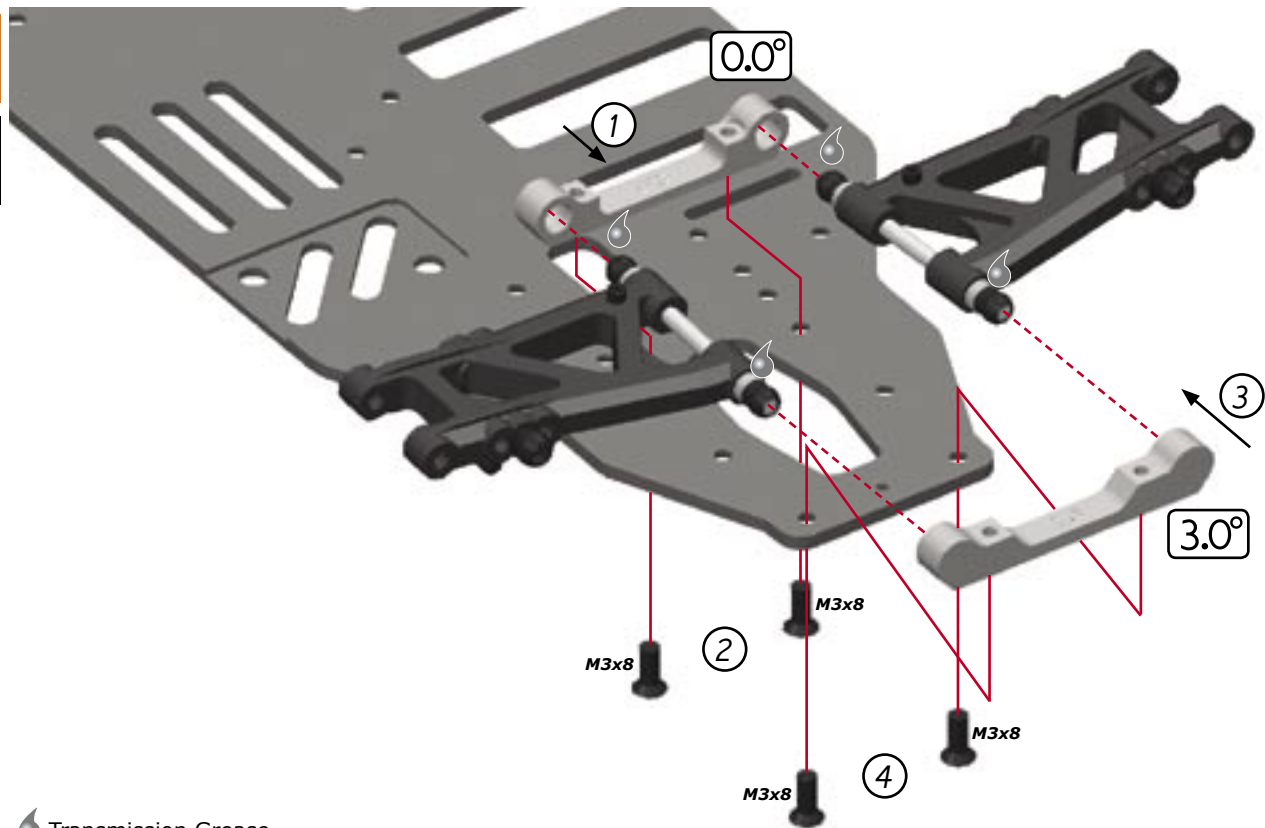
 Transmission Grease




M3x10



M3x8



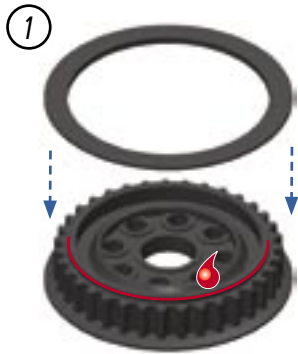
 Transmission Grease

Fasteners

1:1



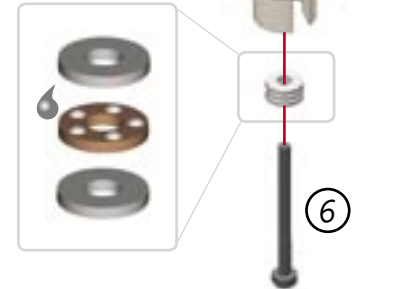
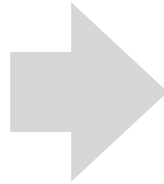
M3x8



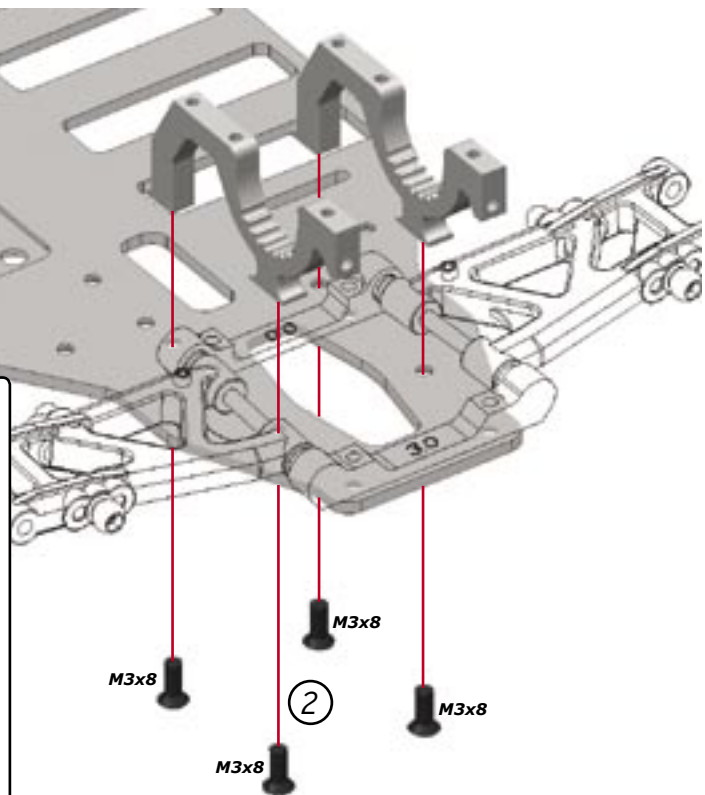
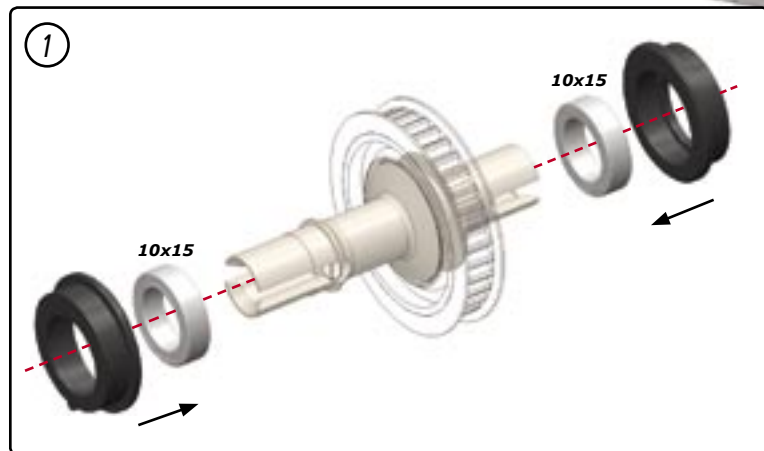
CA Glue

Transmission Grease

Differential Grease



Refer to the Setup book for detailed differential setting explanation.



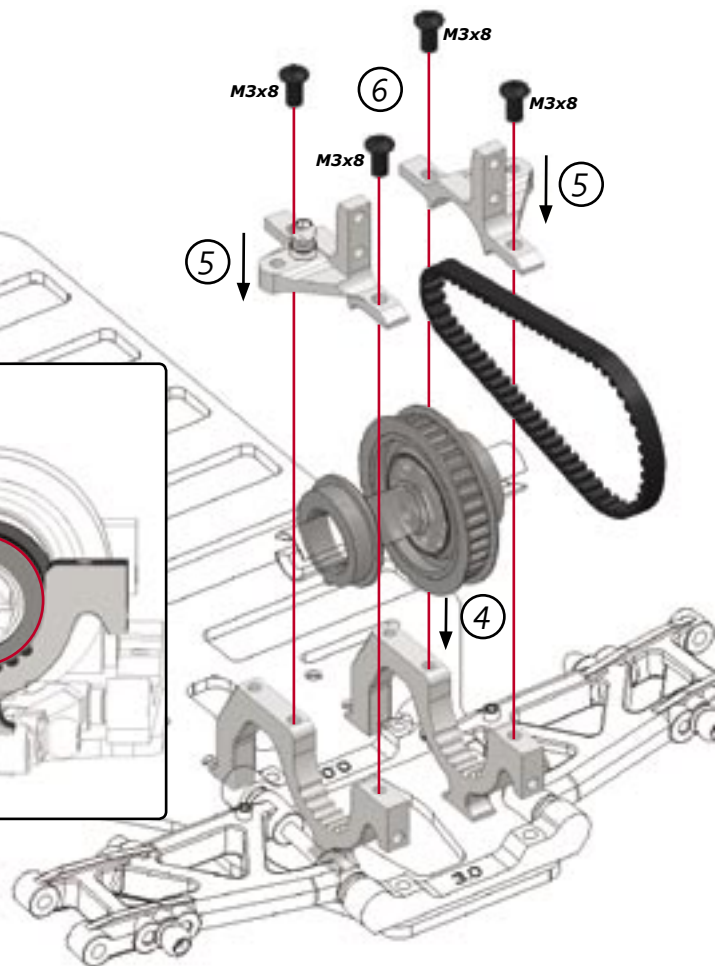
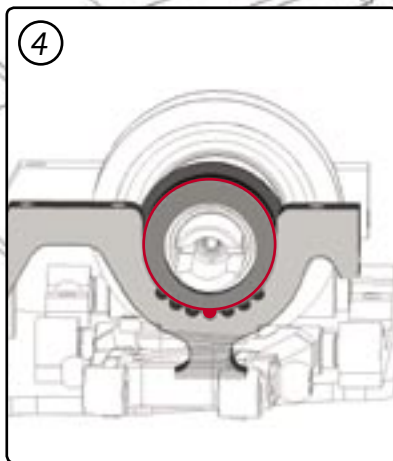
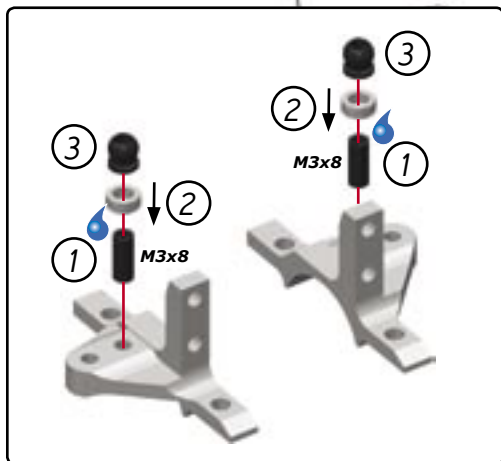
Fasteners

1:1



M3x8



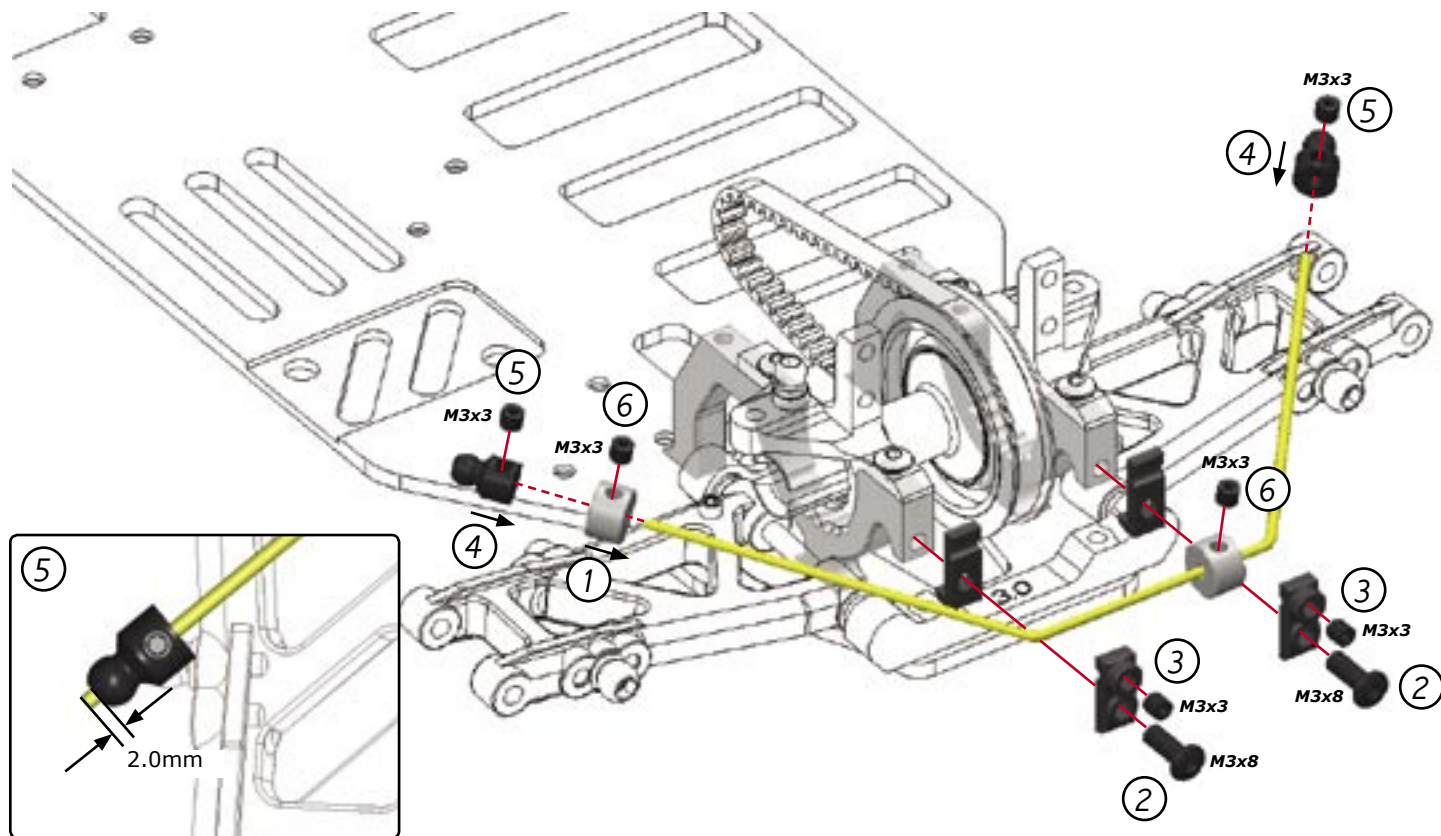


Fasteners

1:1



M3x8



Fasteners

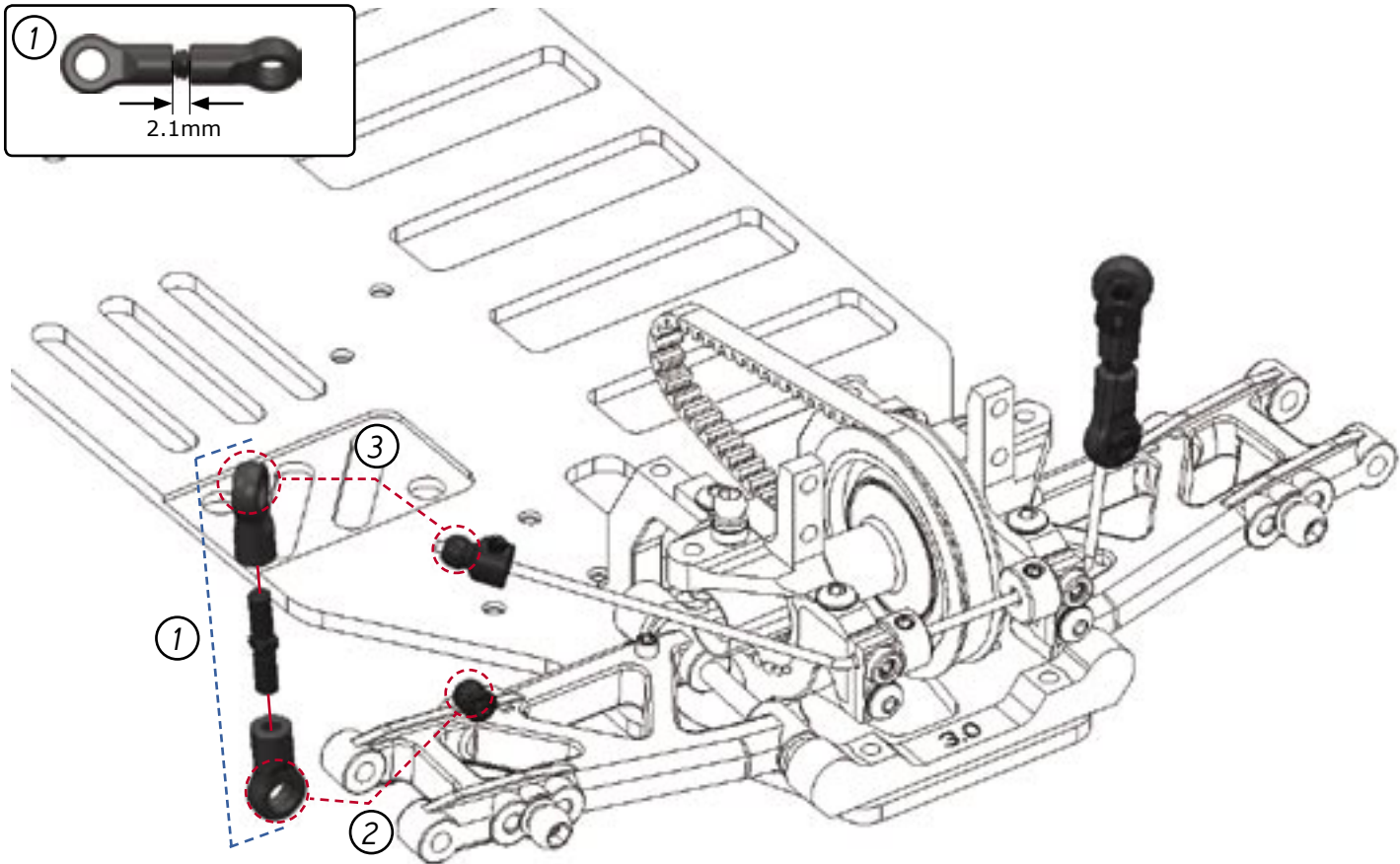
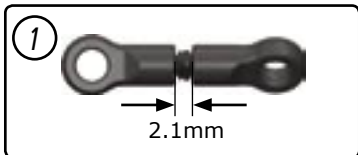
1:1

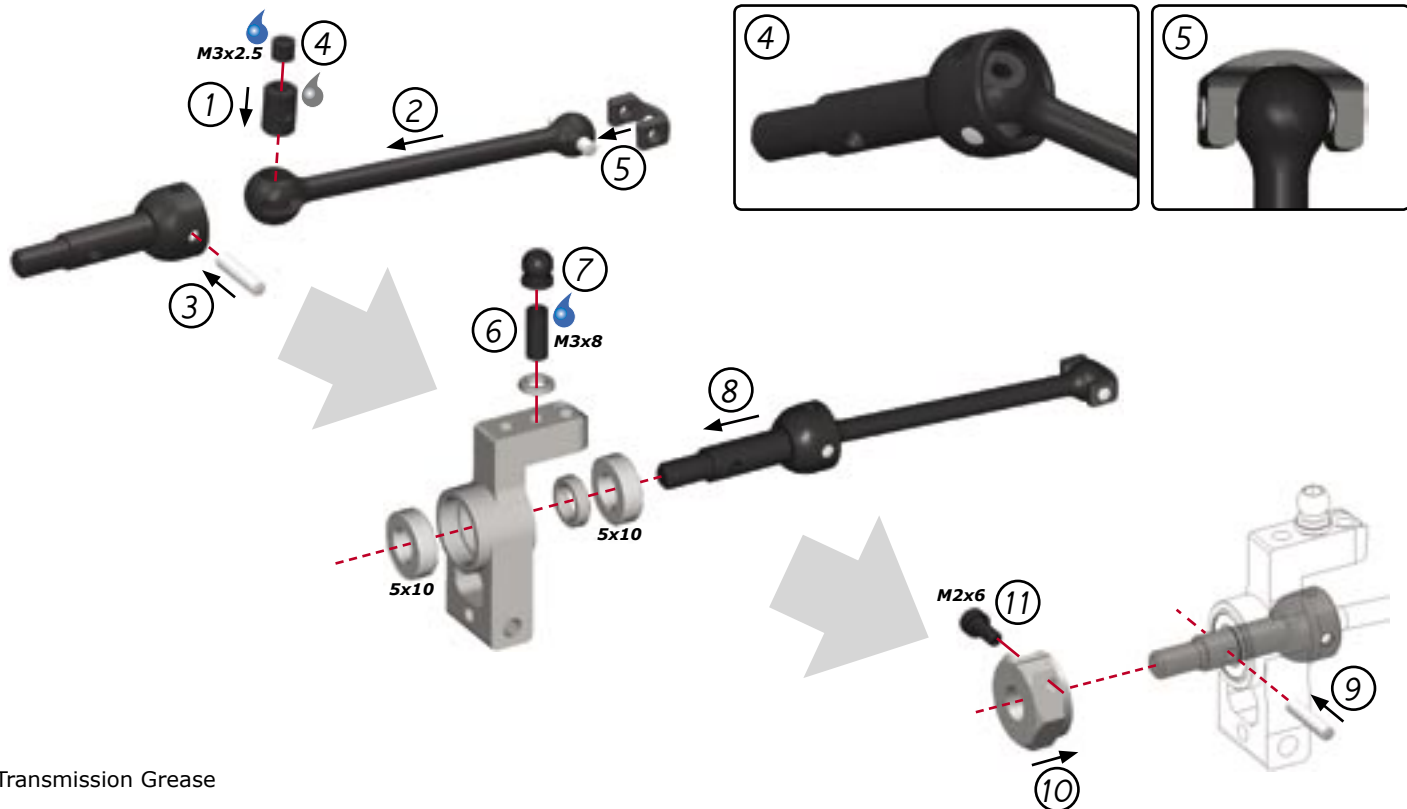


M3x8



M3x3





Fasteners

1:1



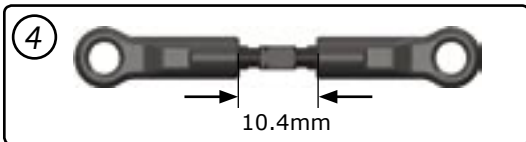
M3x8



M3x2.5



M2x6



M3x3

③

①

④

⑤

⑤

⑥

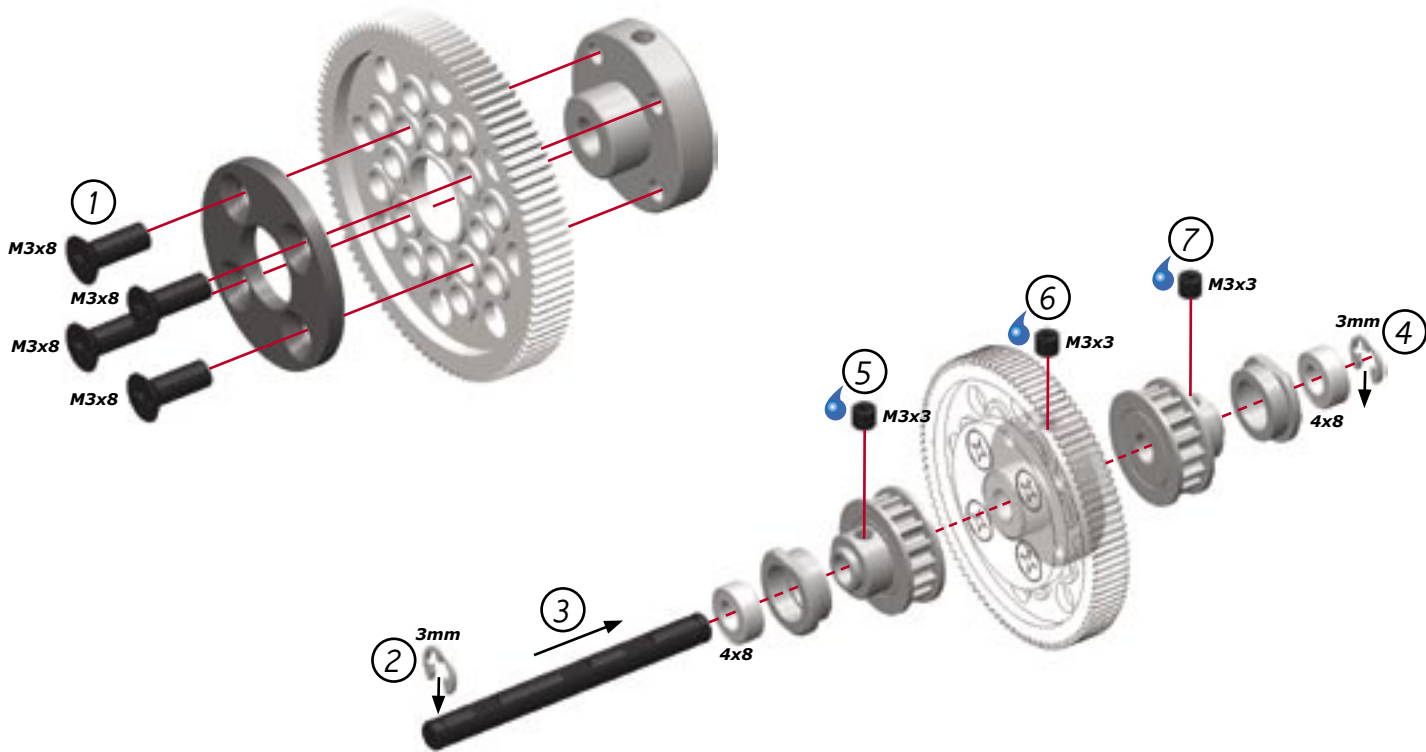
Fasteners

1:1



M3x3





 Thread Lock

Fasteners

1:1



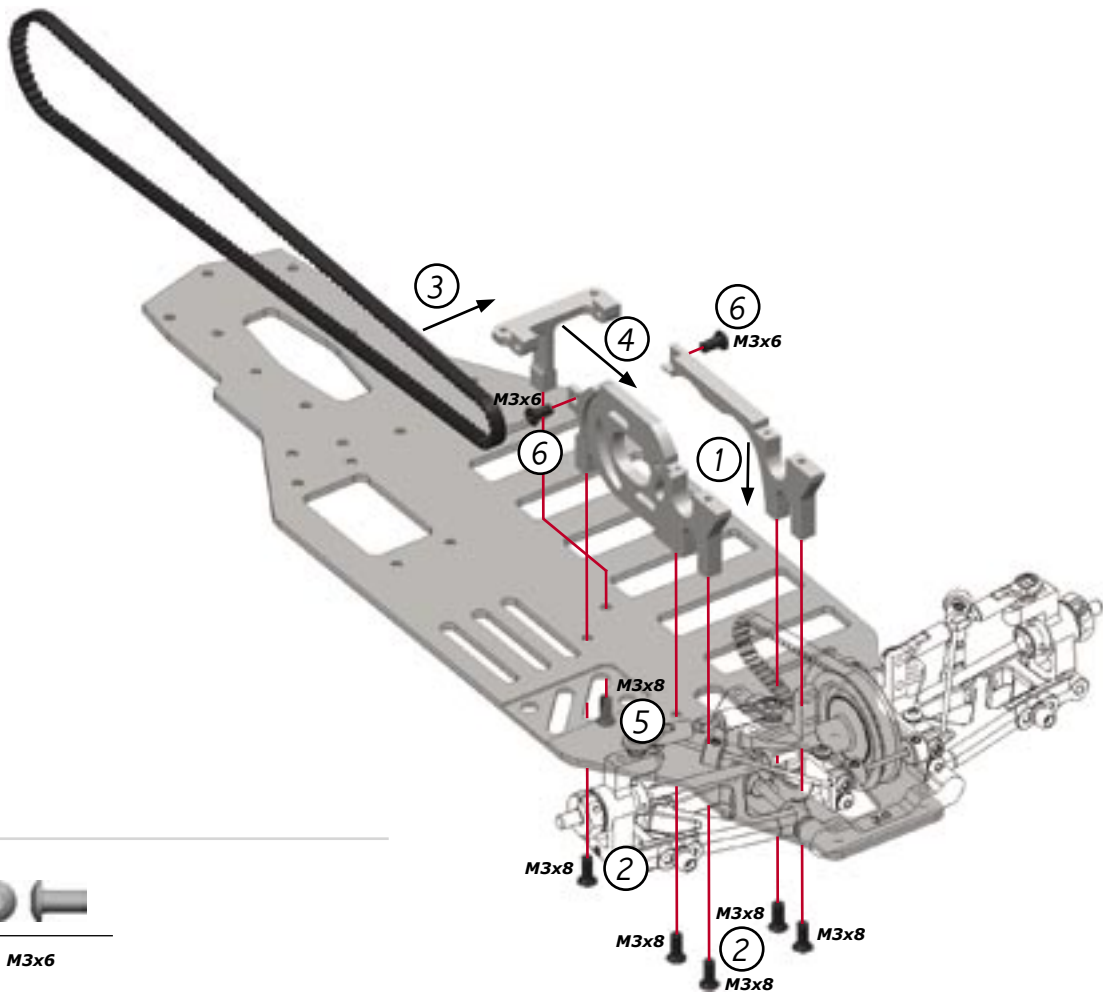
M3x8



M3x3



3mm



Fasteners

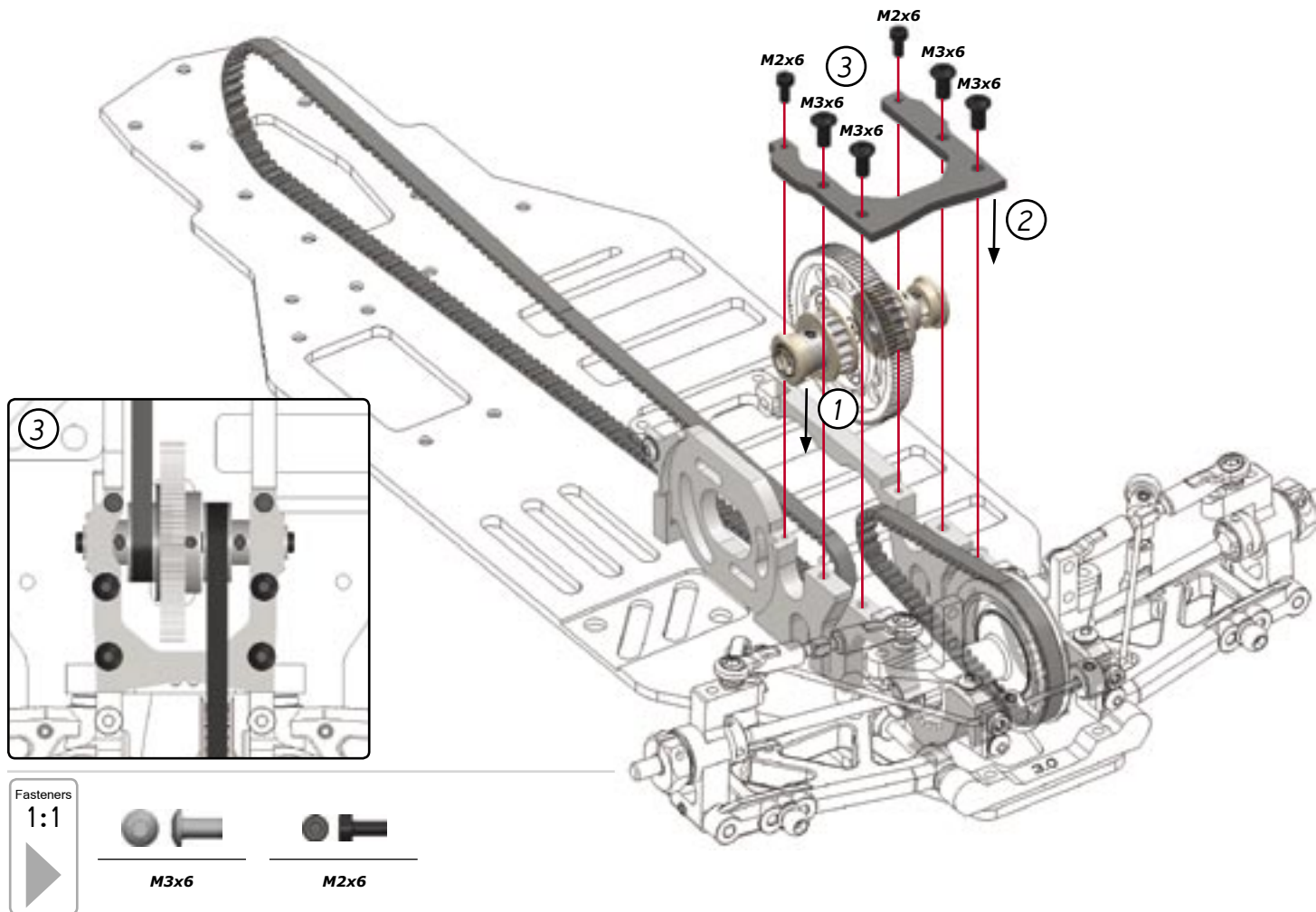
1:1

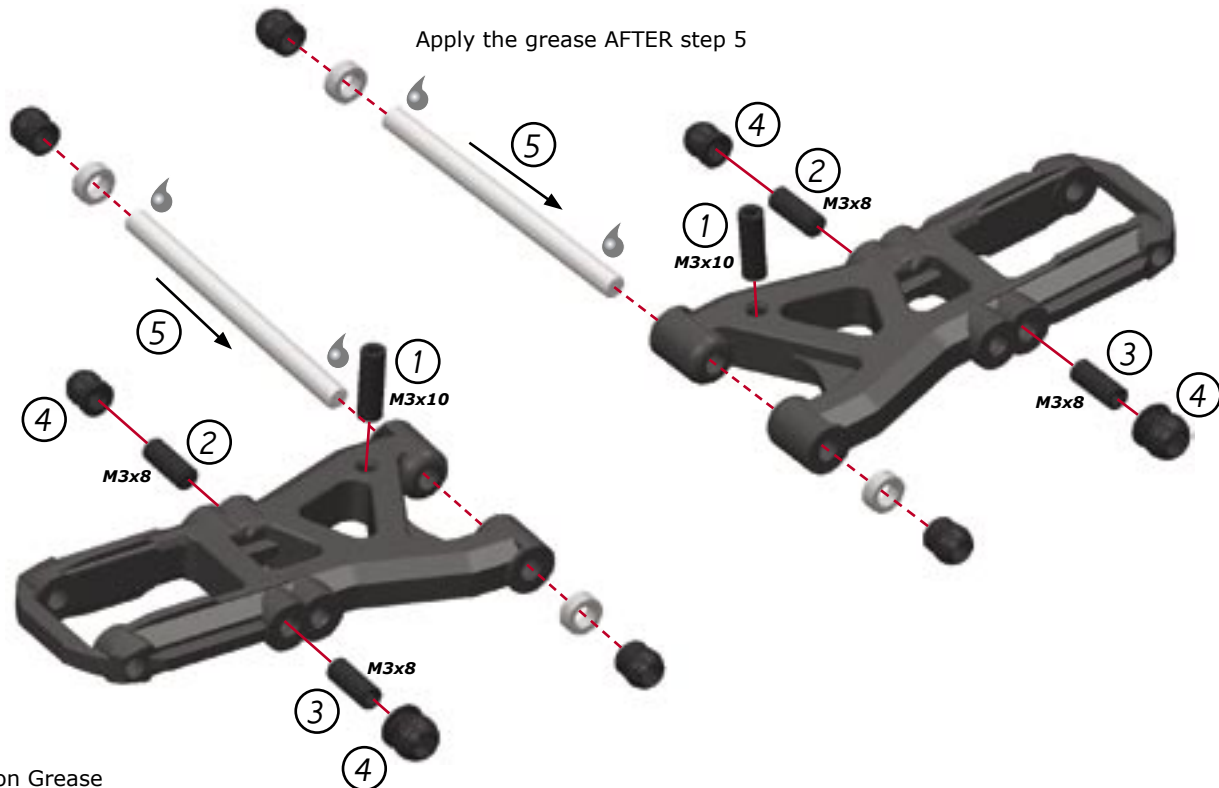


M3x8



M3x6





Fasteners

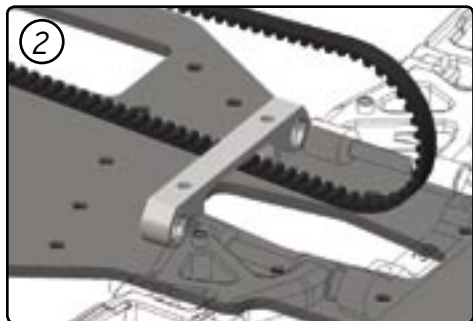
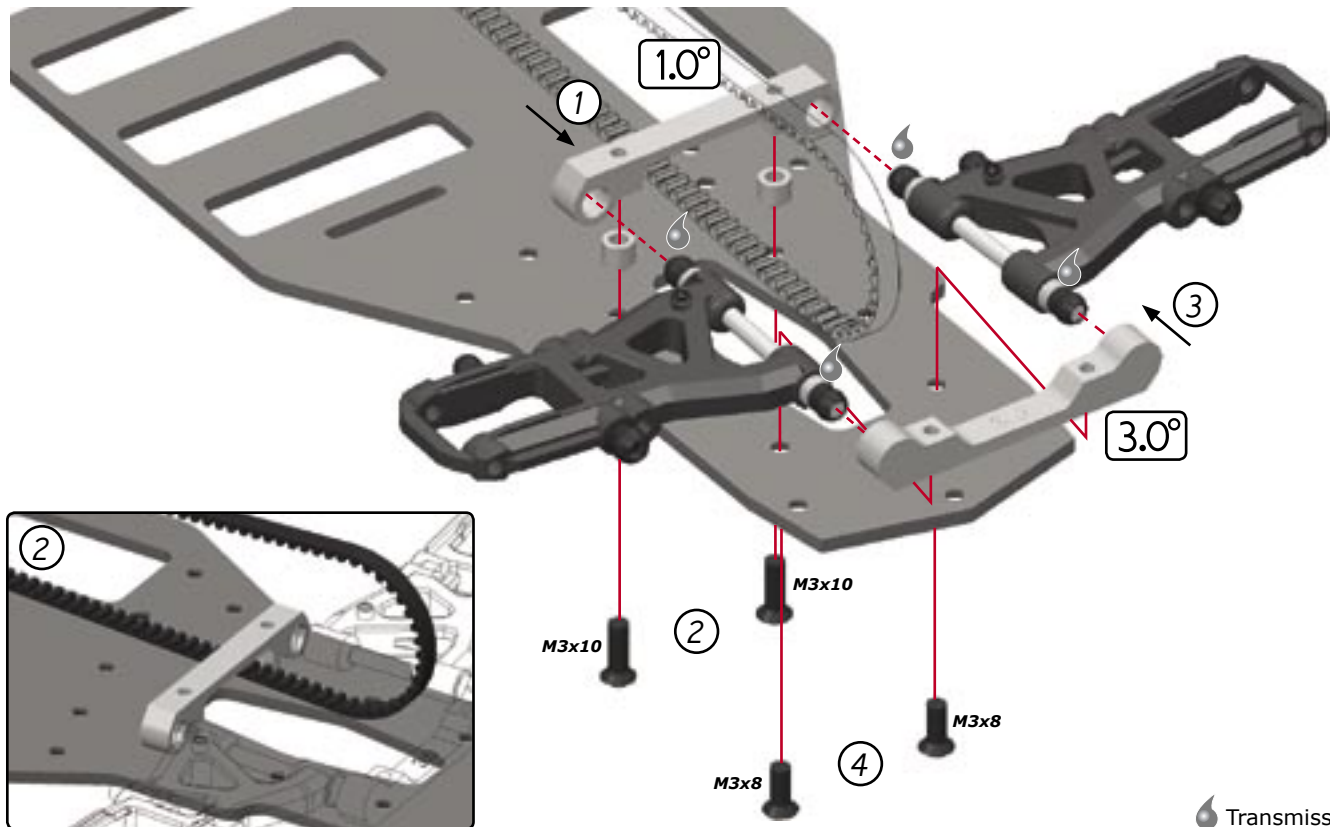
1:1



M3x10



M3x8



 Transmission Grease

Fasteners

1:1

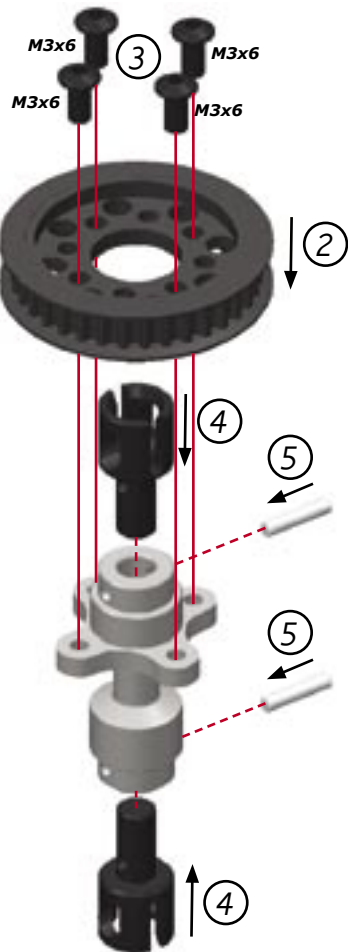
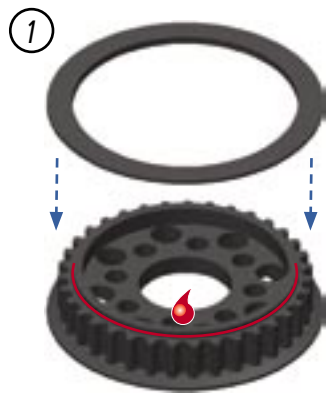


M3x10



M3x8





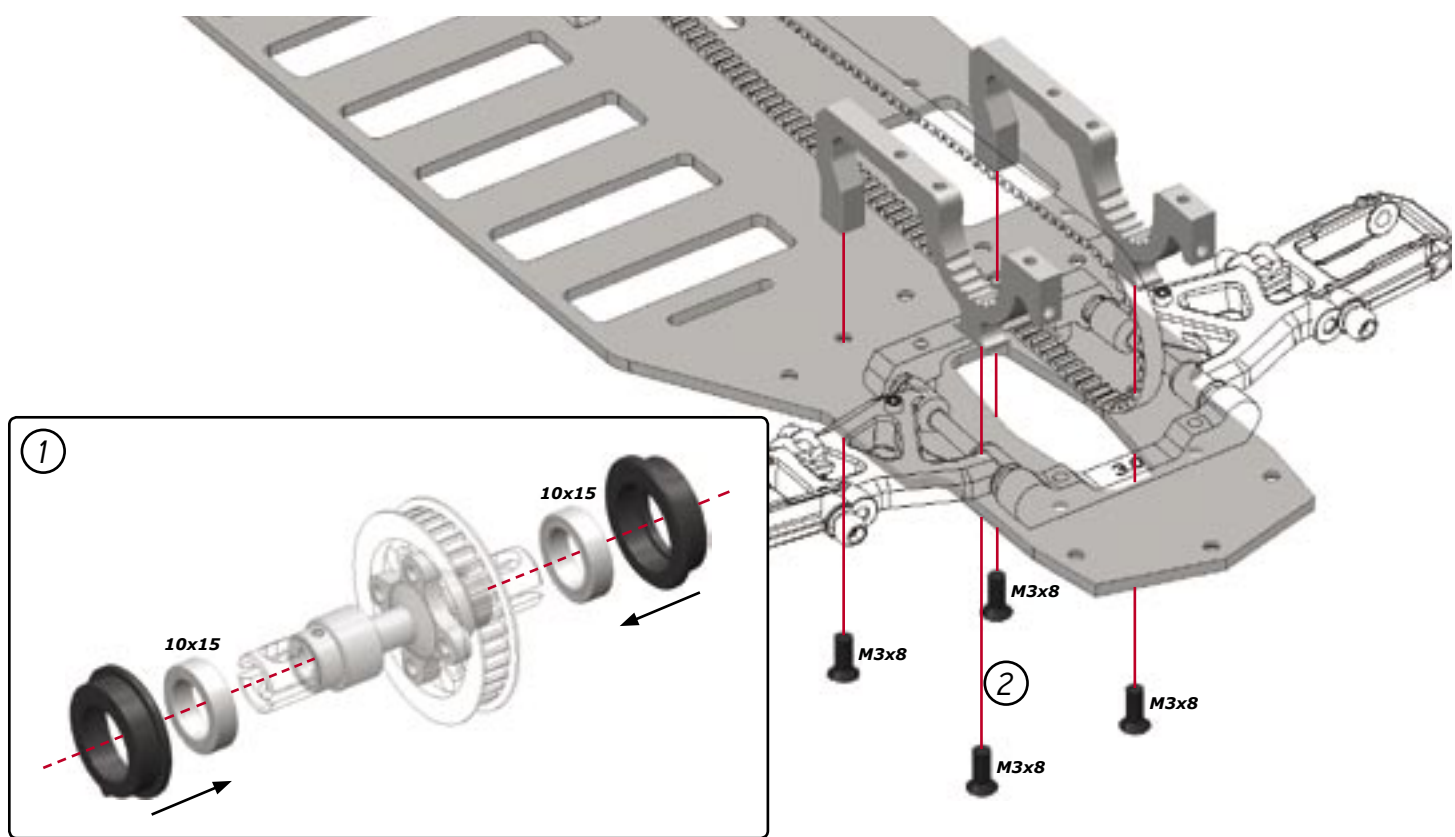
 CA Glue

Fasteners

1:1



M3x6

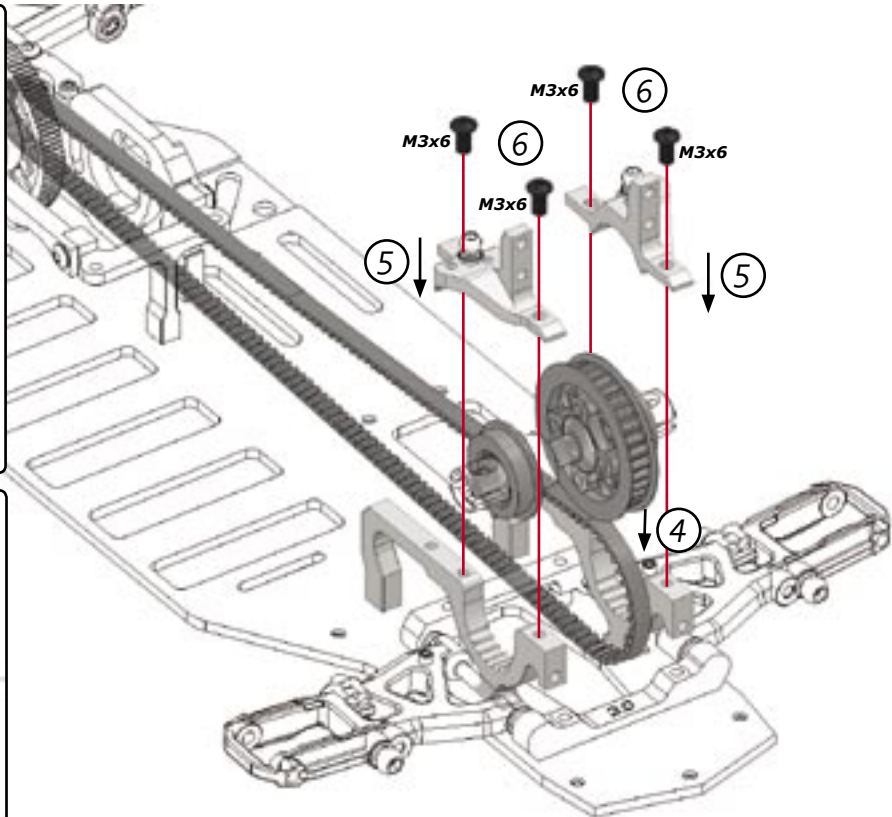
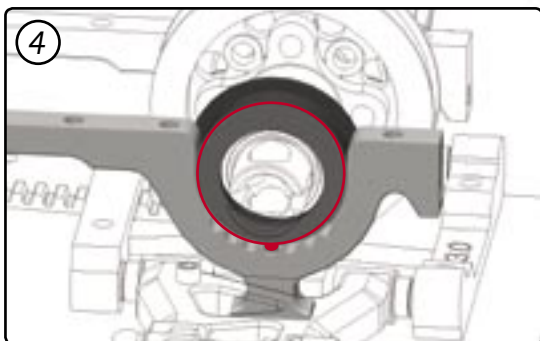
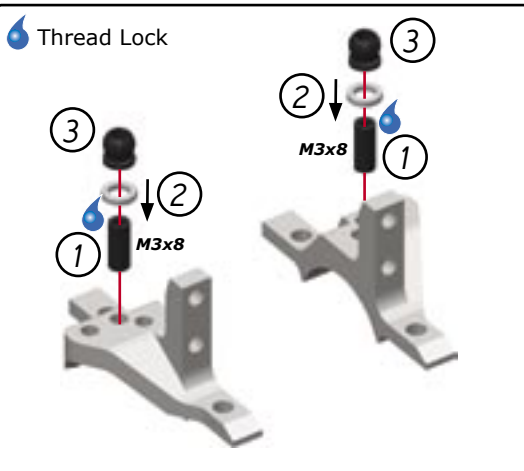


Fasteners

1:1



M3x8



Fasteners

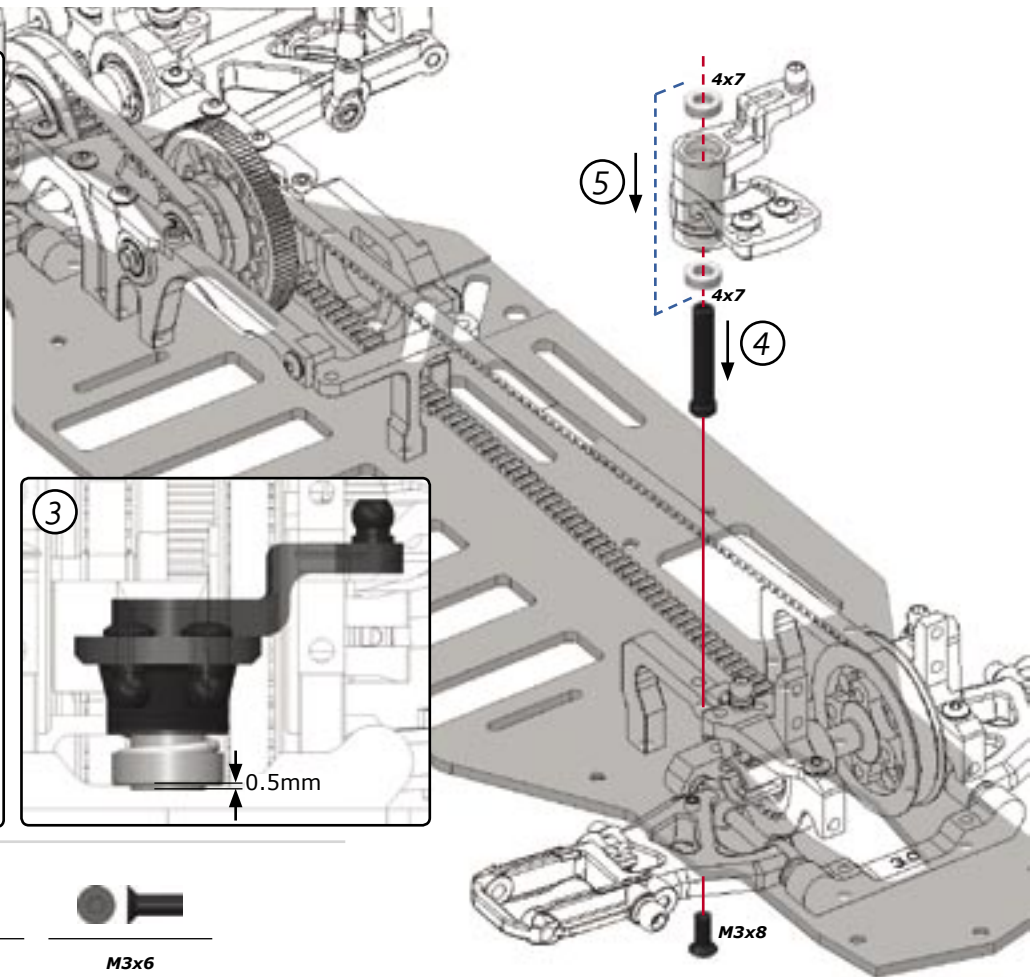
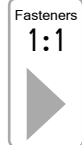
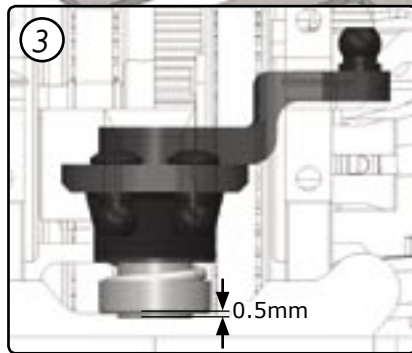
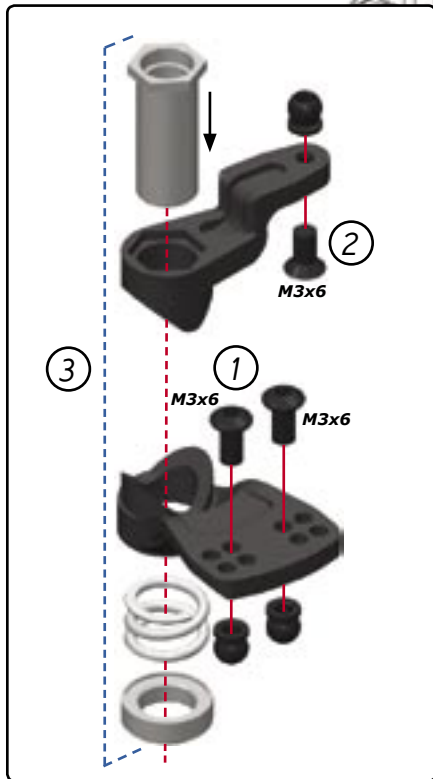
1:1

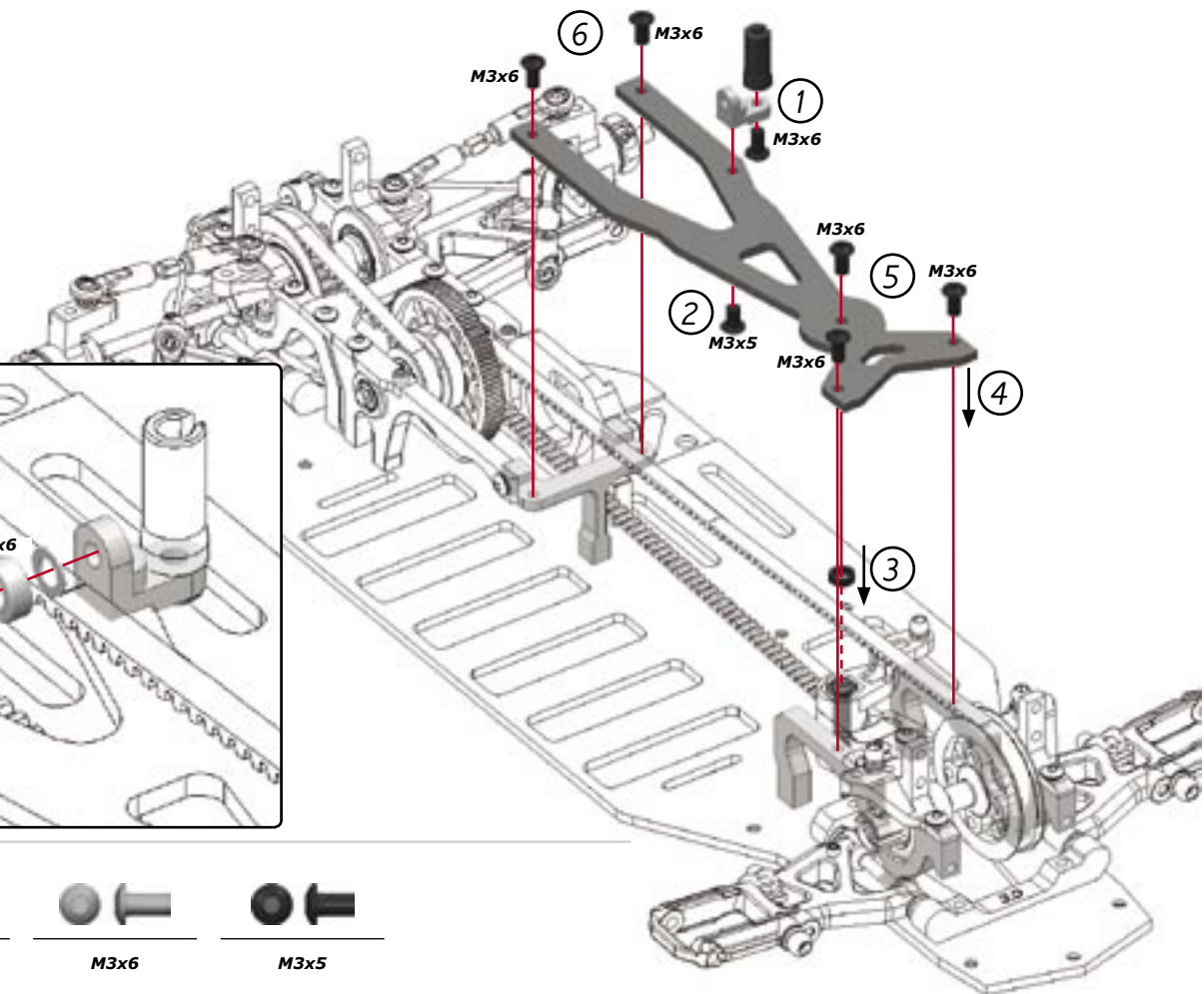
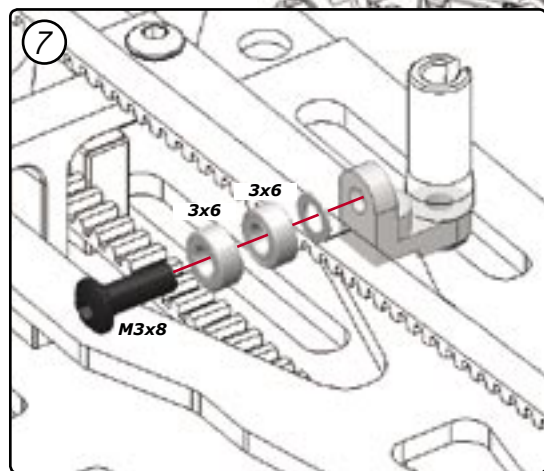


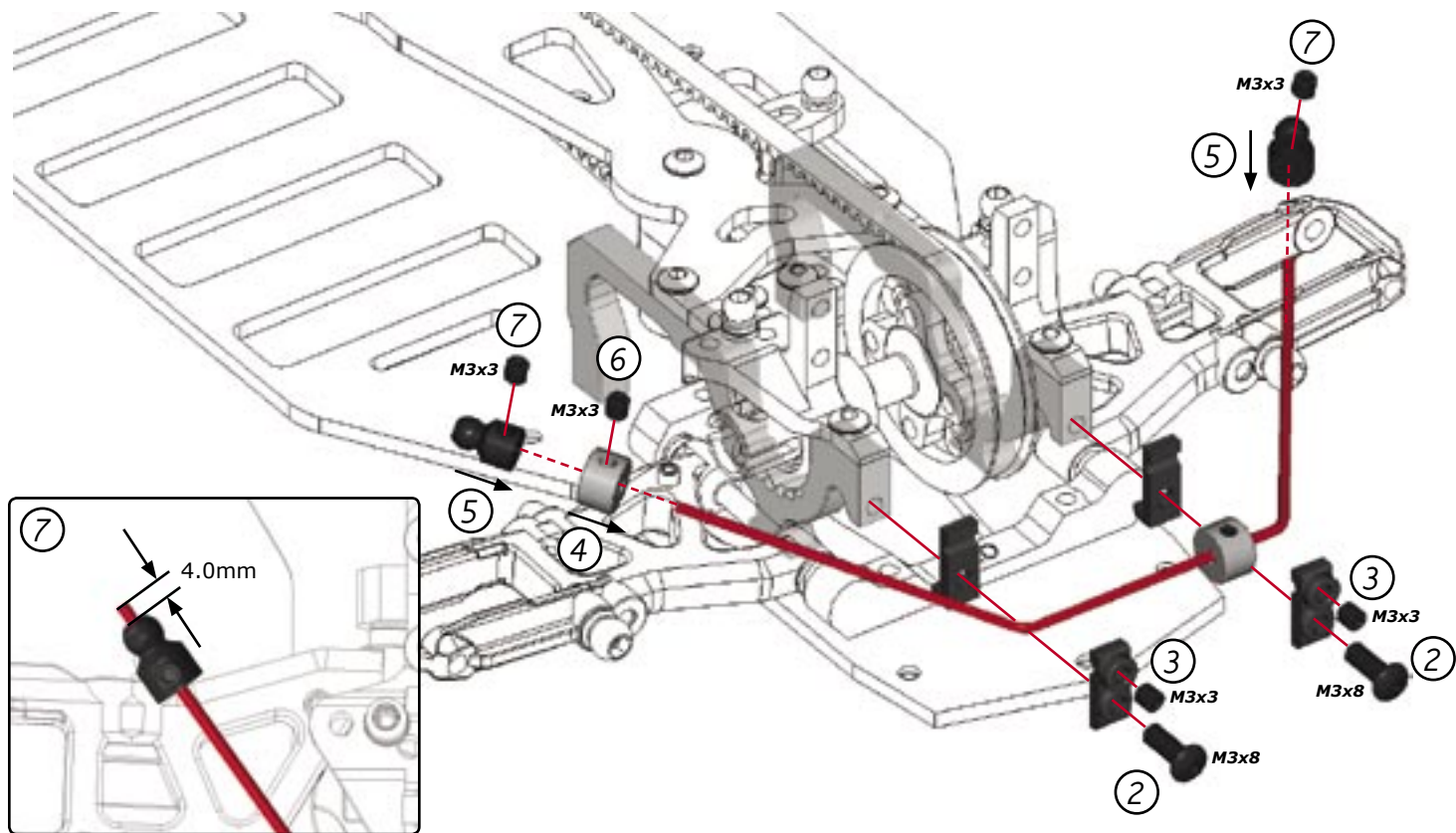
M3x6



M3x8







Fasteners

1:1

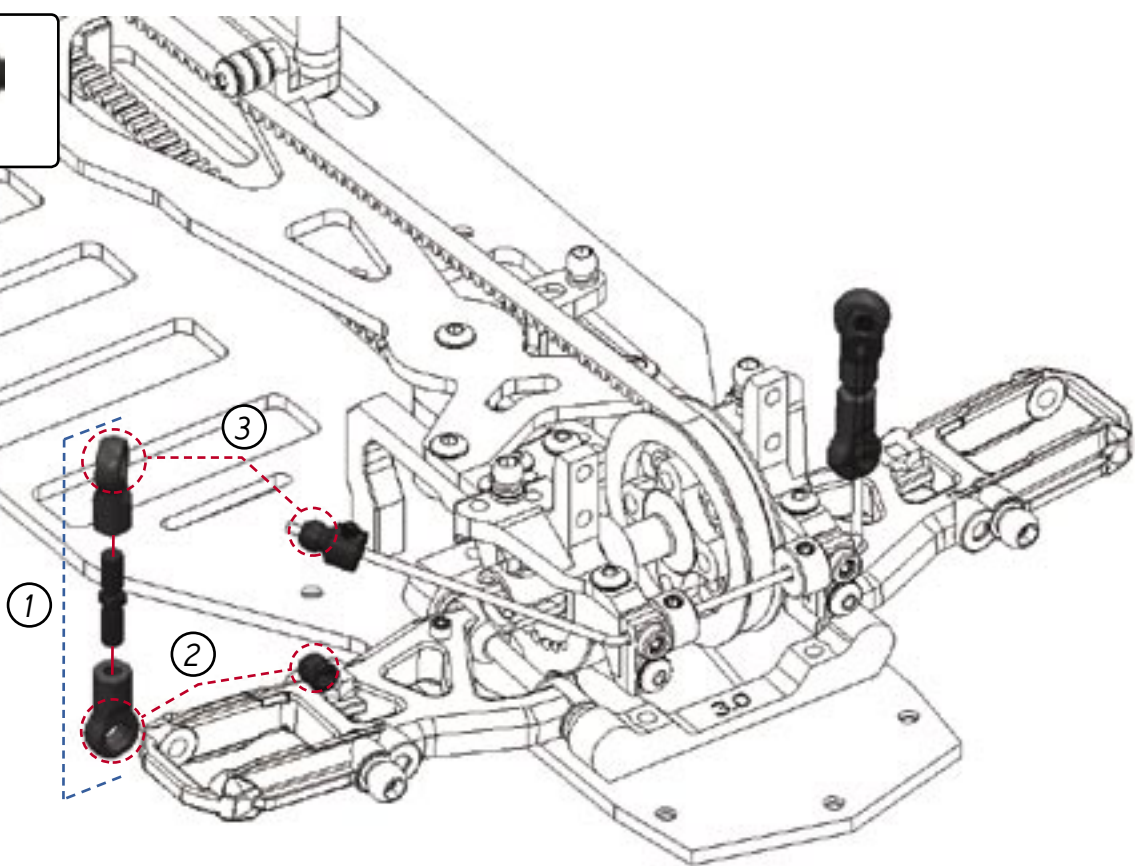
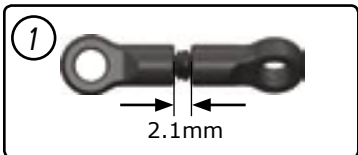


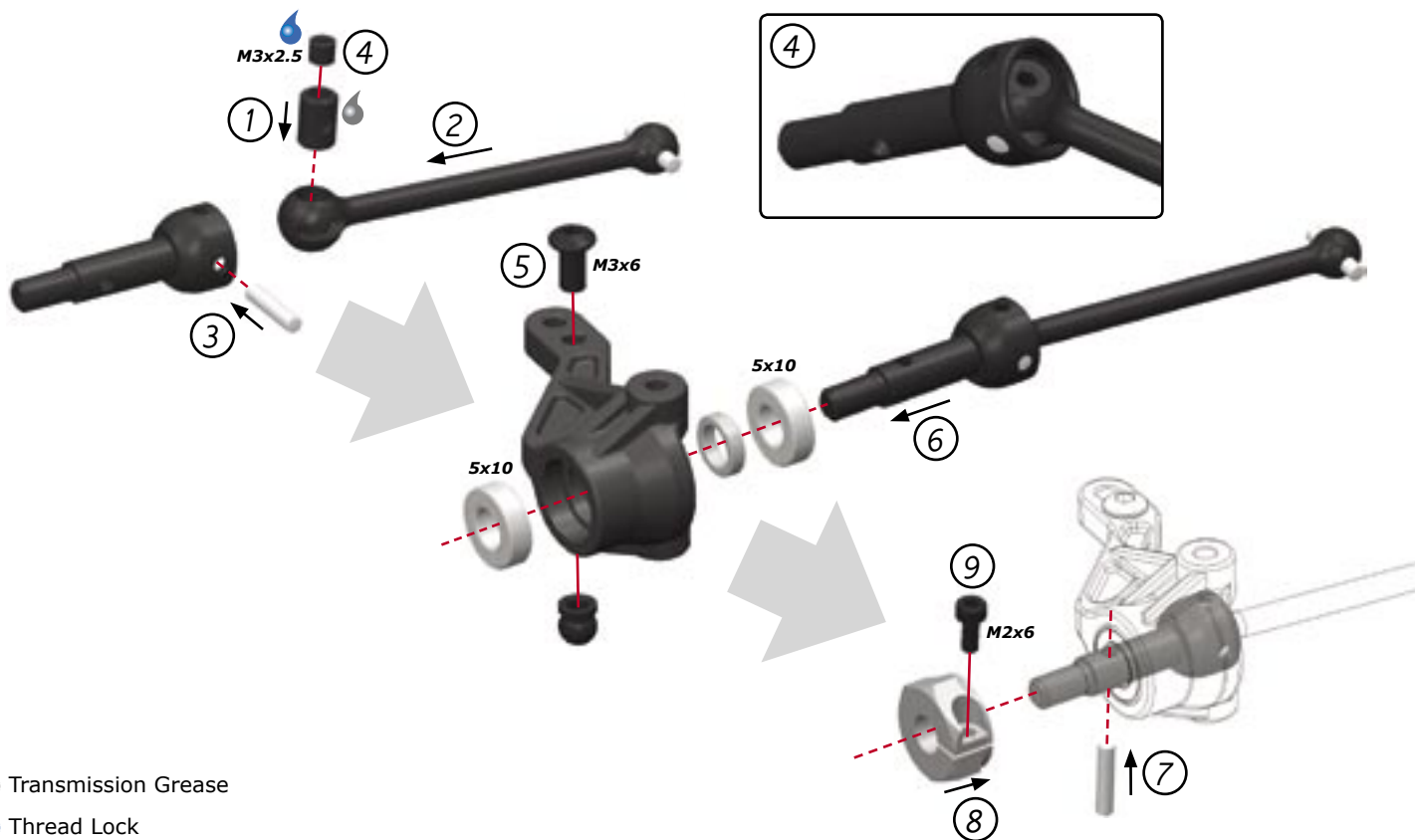
M3x8

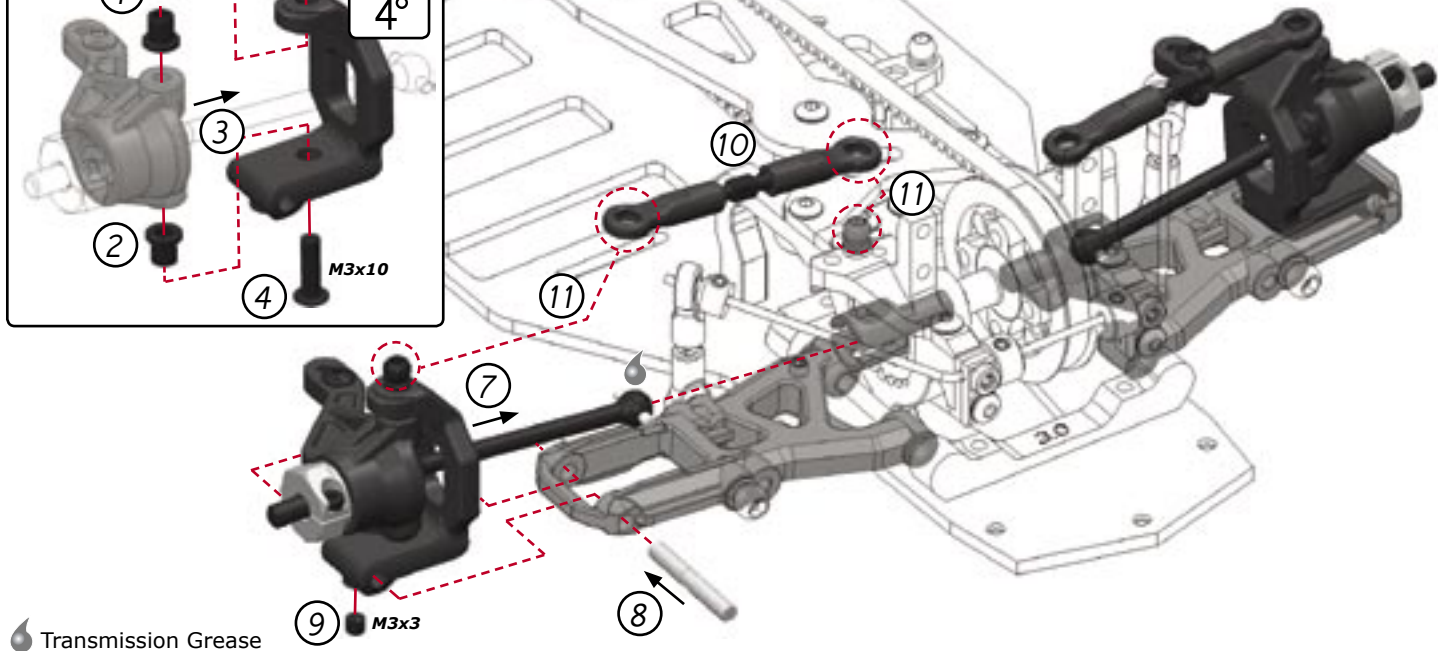
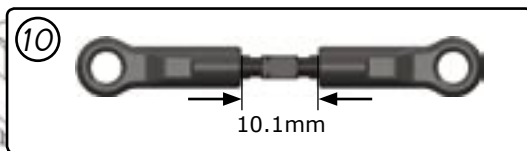
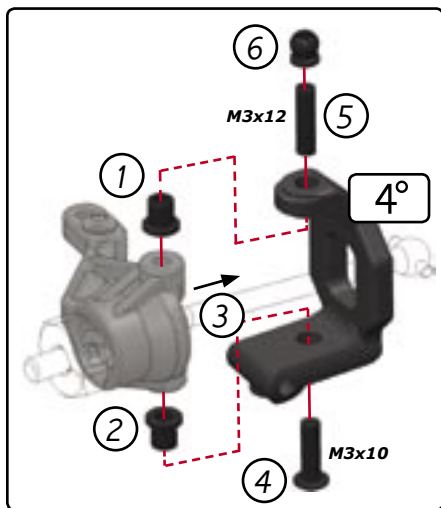


M3x3









Fasteners

1:1



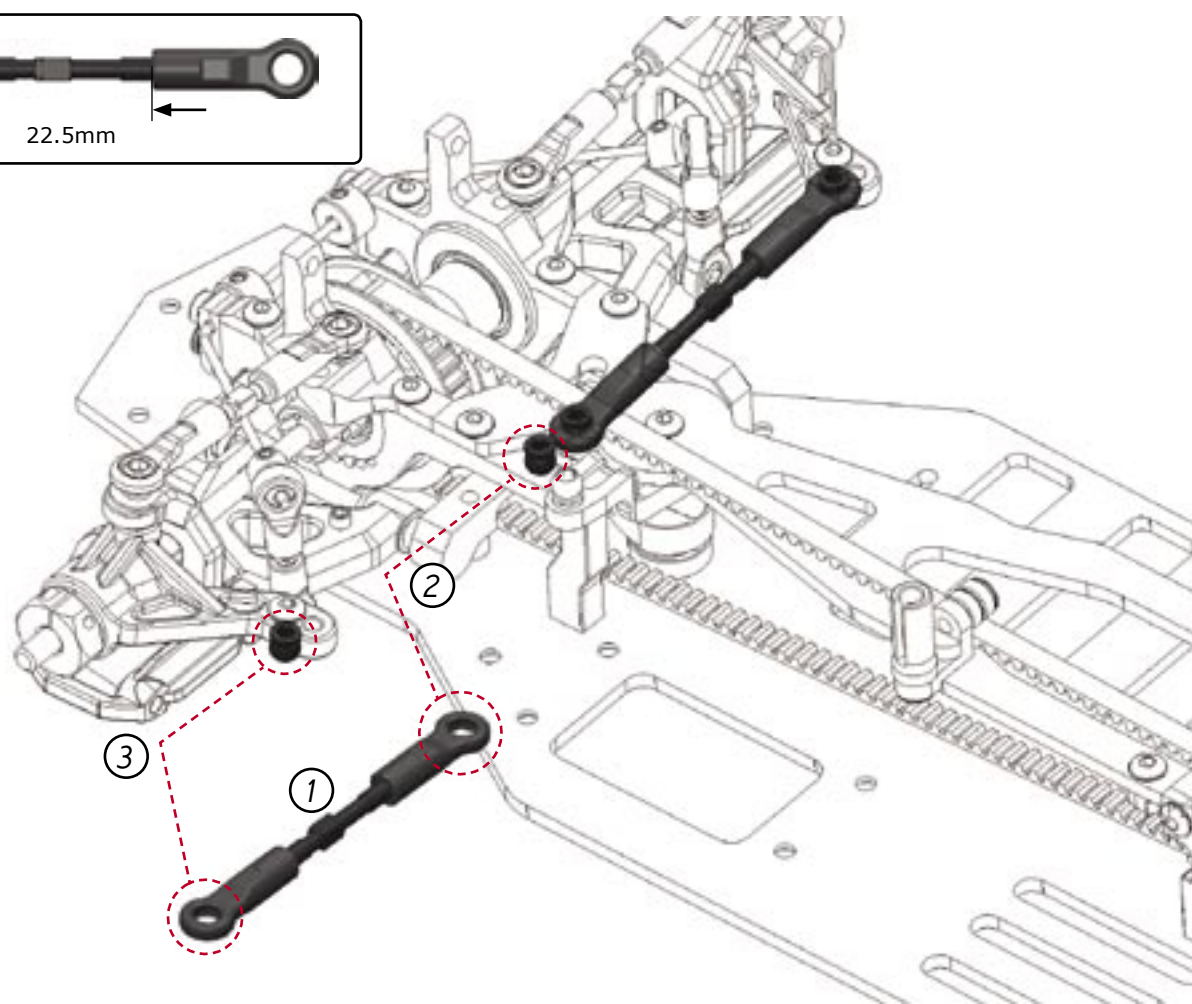
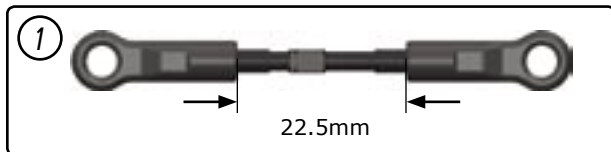
M3x10

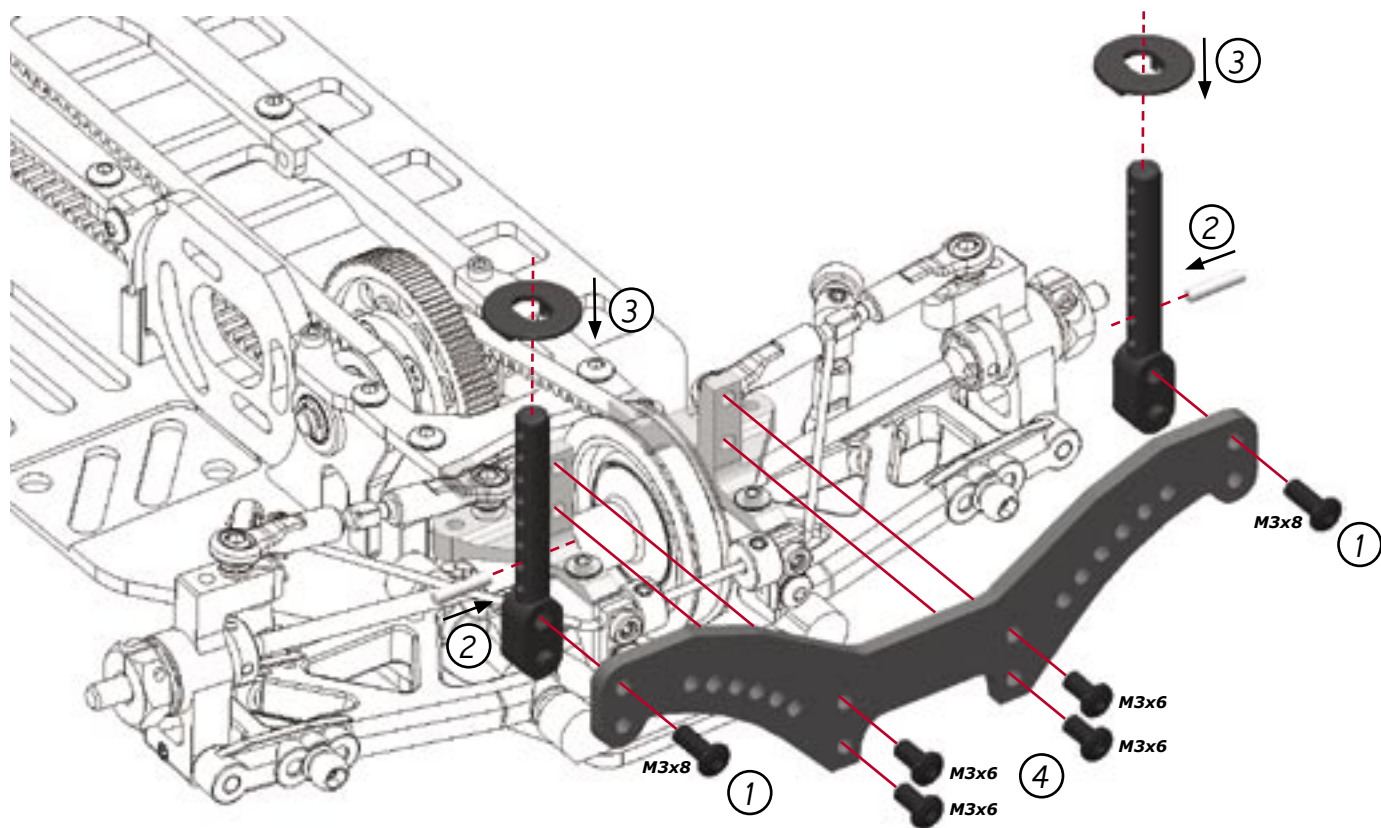


M3x12



M3x3





Fasteners

1:1



M3x8



M3x6



Unscrew the bottom half of the pre-assembled shock absorbers.



②

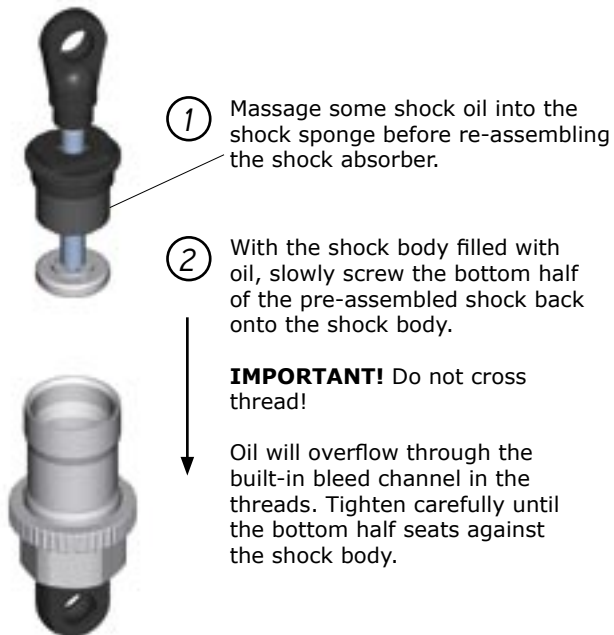
**FILLING**

Fill the shock body with the supplied shock absorber oil.

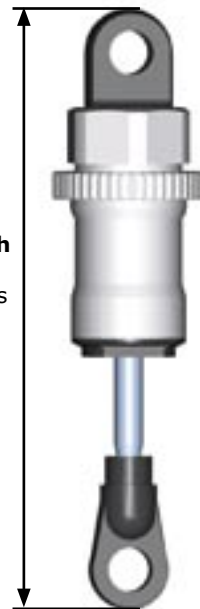
BLEEDING

Let the oil settle and allow the air to escape.



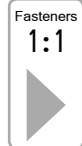


Shock Length
68mm
for ALL shocks

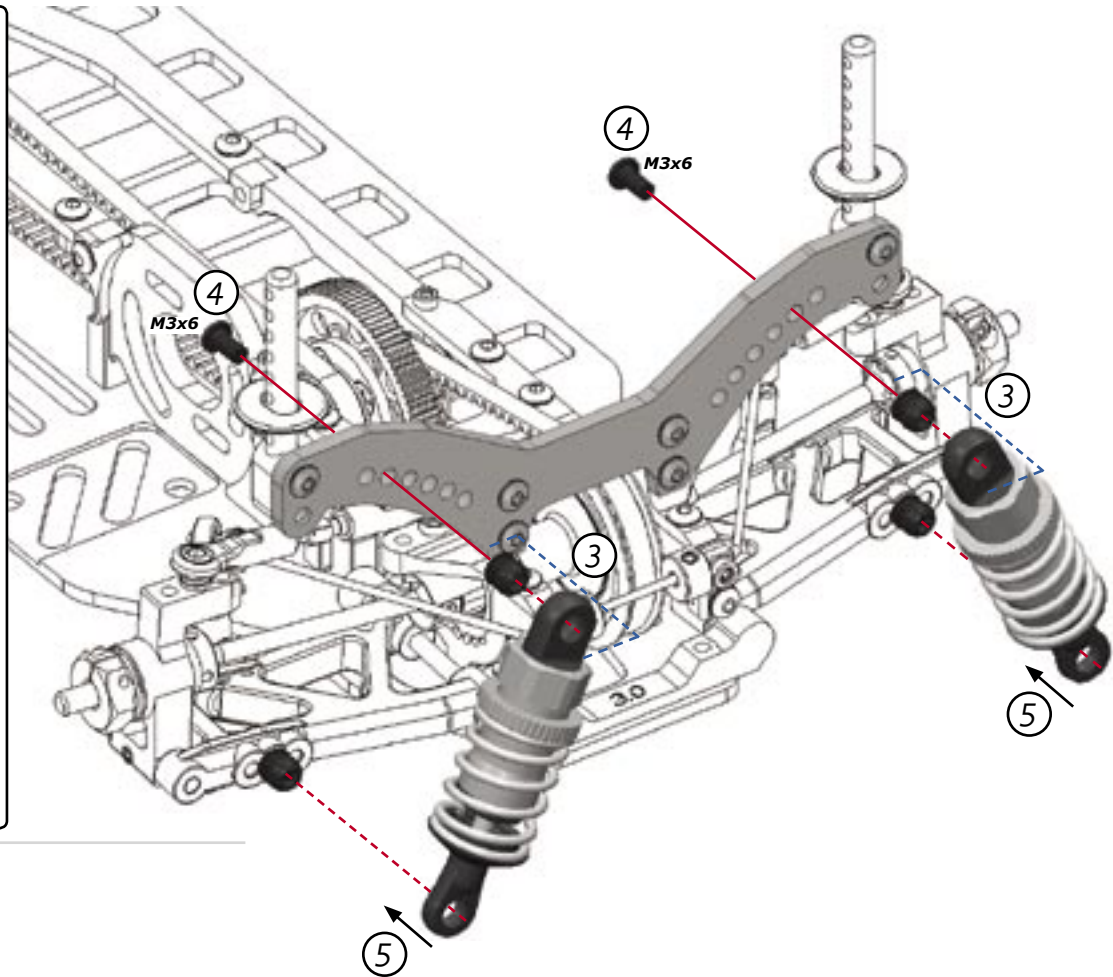


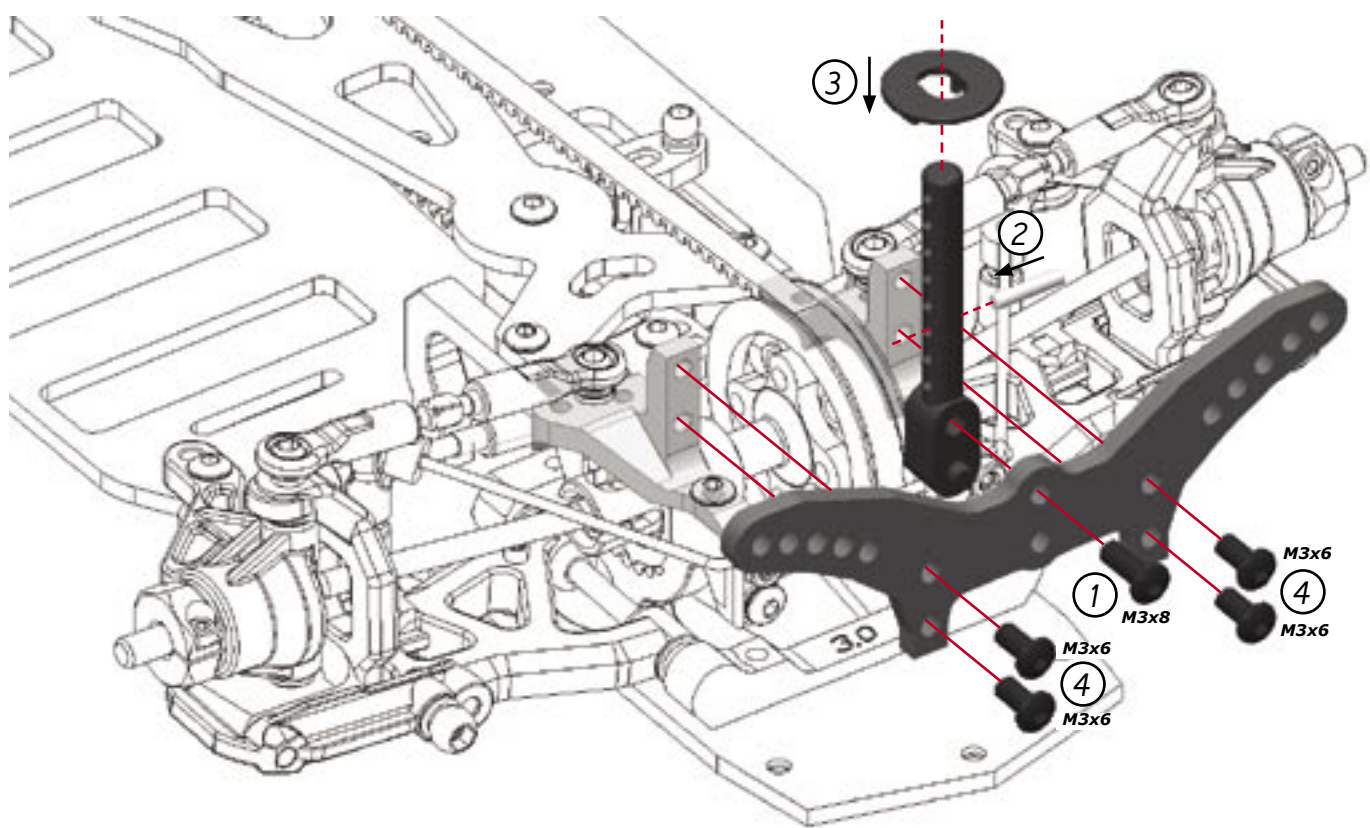
Use the lower ball joint to adjust shock length.

Each left & right pair of front/rear shocks **MUST** be the same length!



M3x6





Fasteners

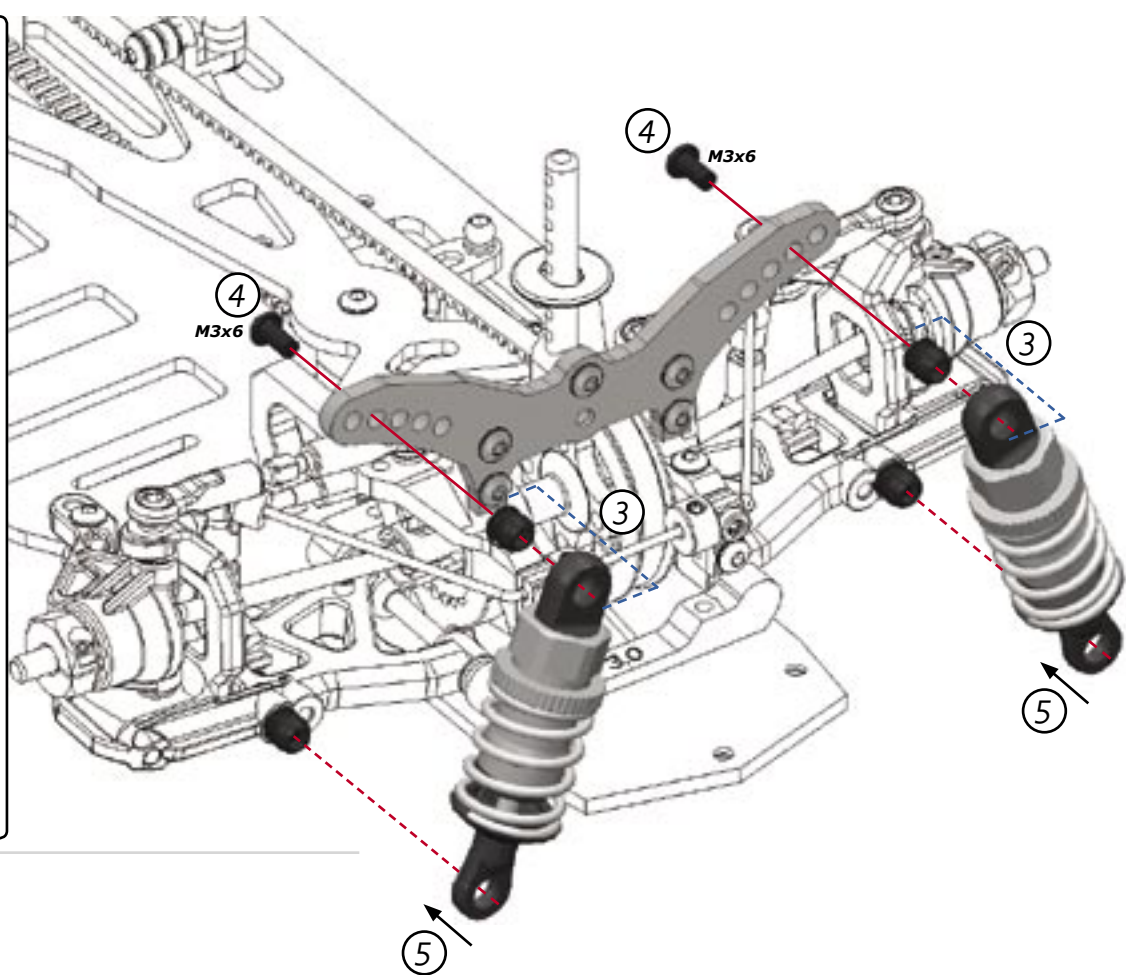
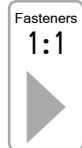
1:1

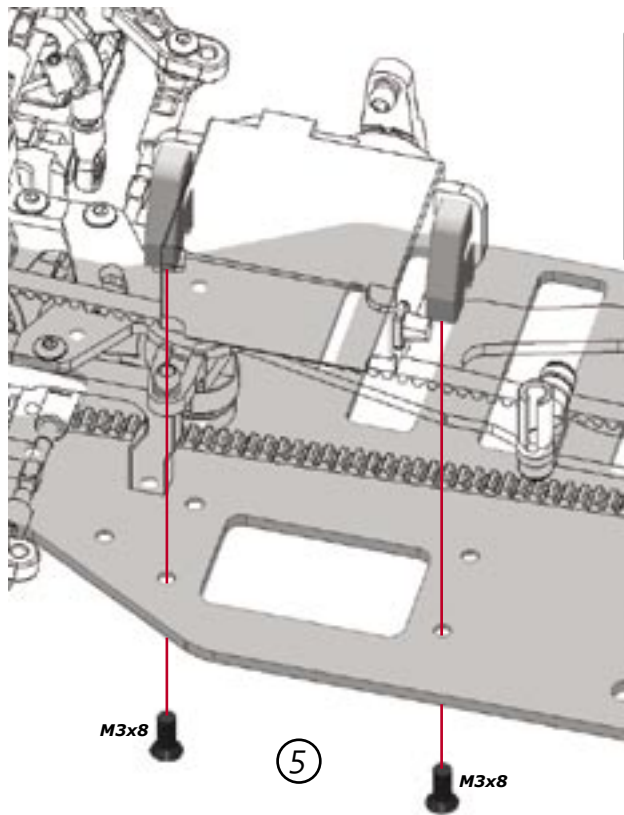


M3x8

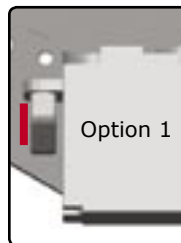


M3x6

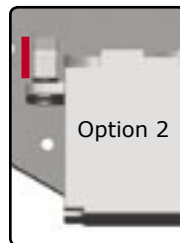




Note that the servo mounting blocks feature offset holes, which combined with the mounting options to the right, allow you to fit most modern servos.

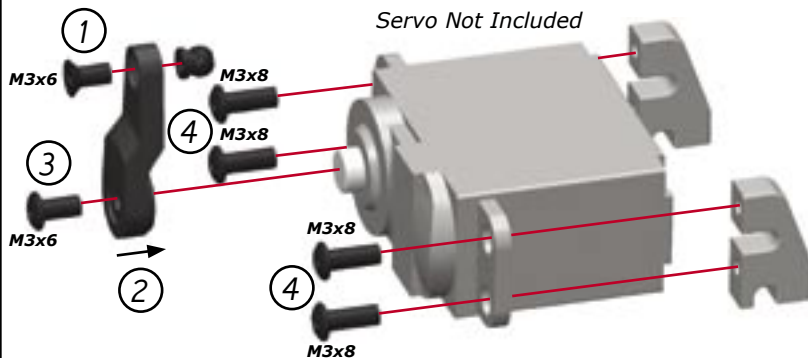


Option 1



Option 2

Use the following servo arms with these brands of servos.
 23 - Sanwa / KO / JR
 24 - Hitec
 25 - Futaba



Fasteners

1:1



M3x8



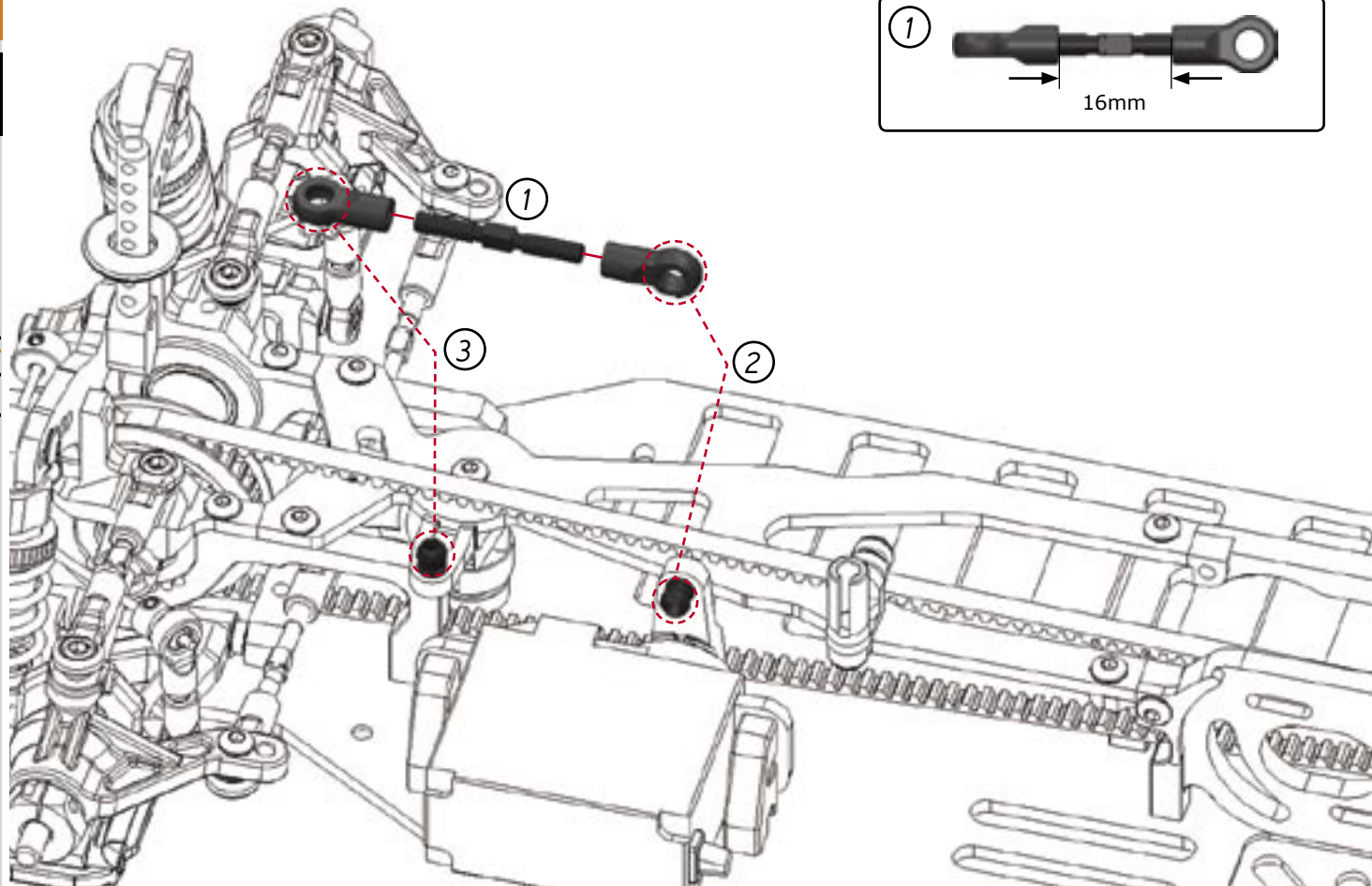
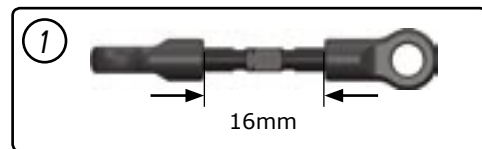
M3x6

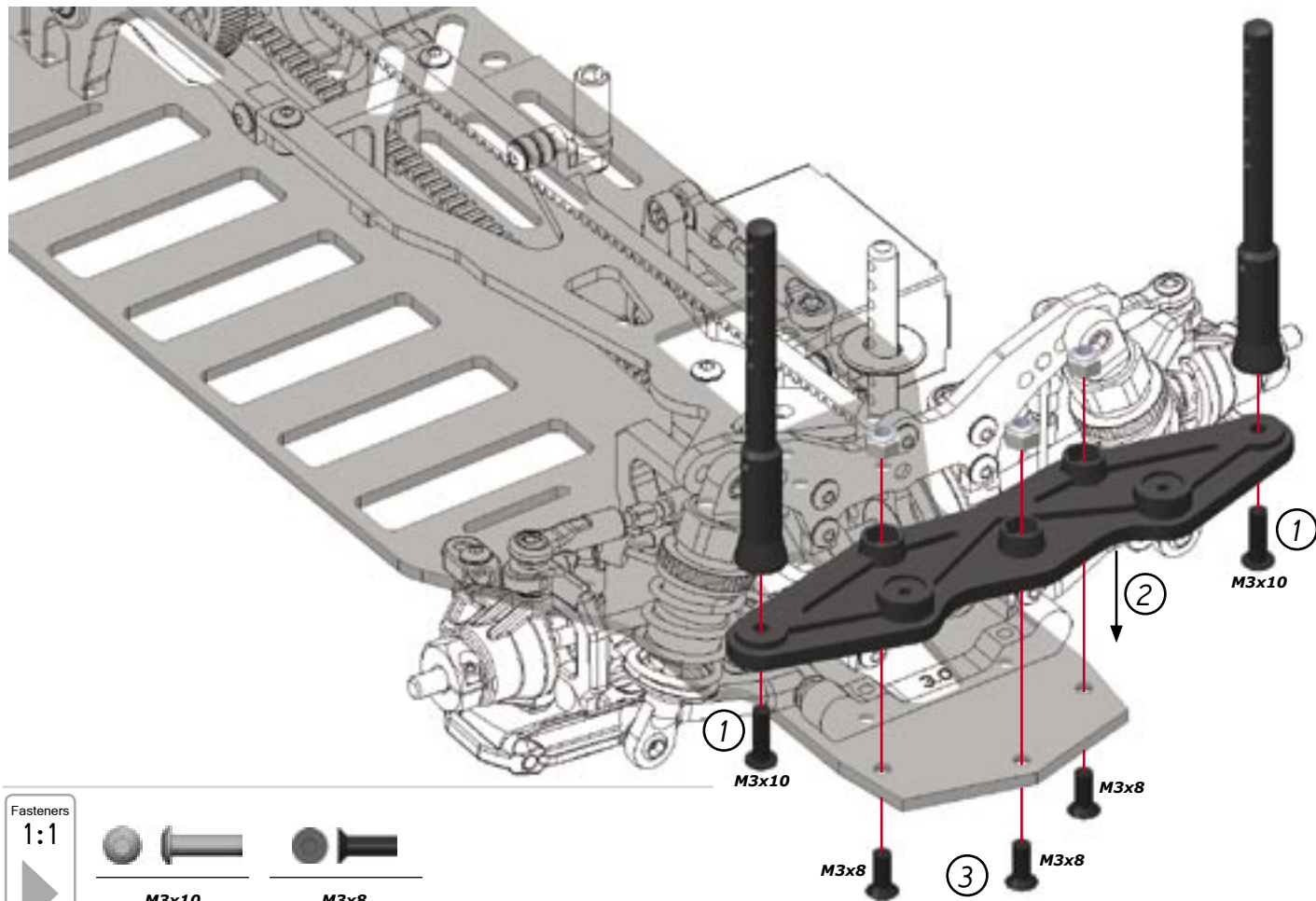


M3x8



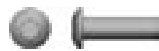
M3x6





Fasteners

1:1



M3x10



M3x8

①

M3x10

①

M3x10

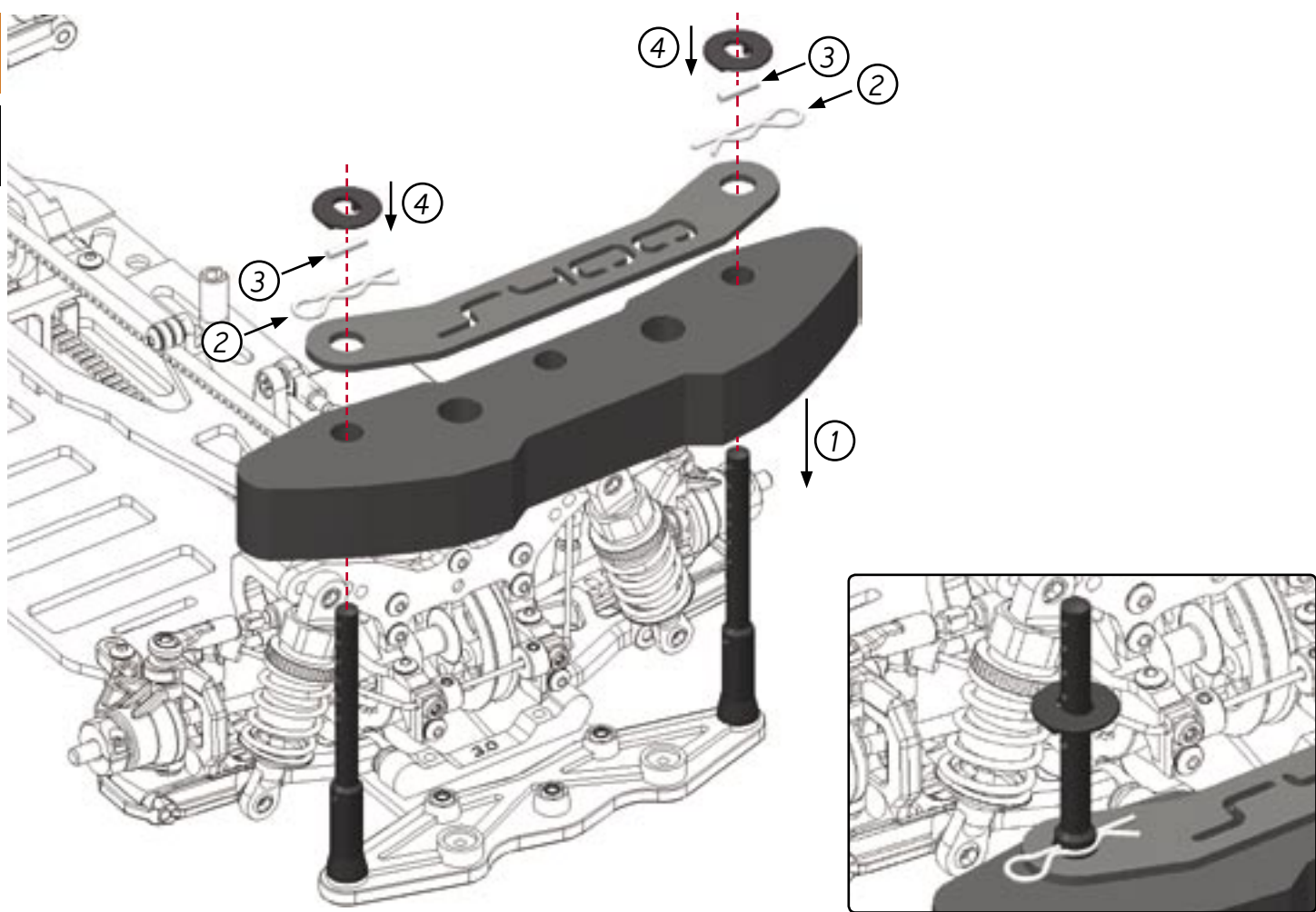
②

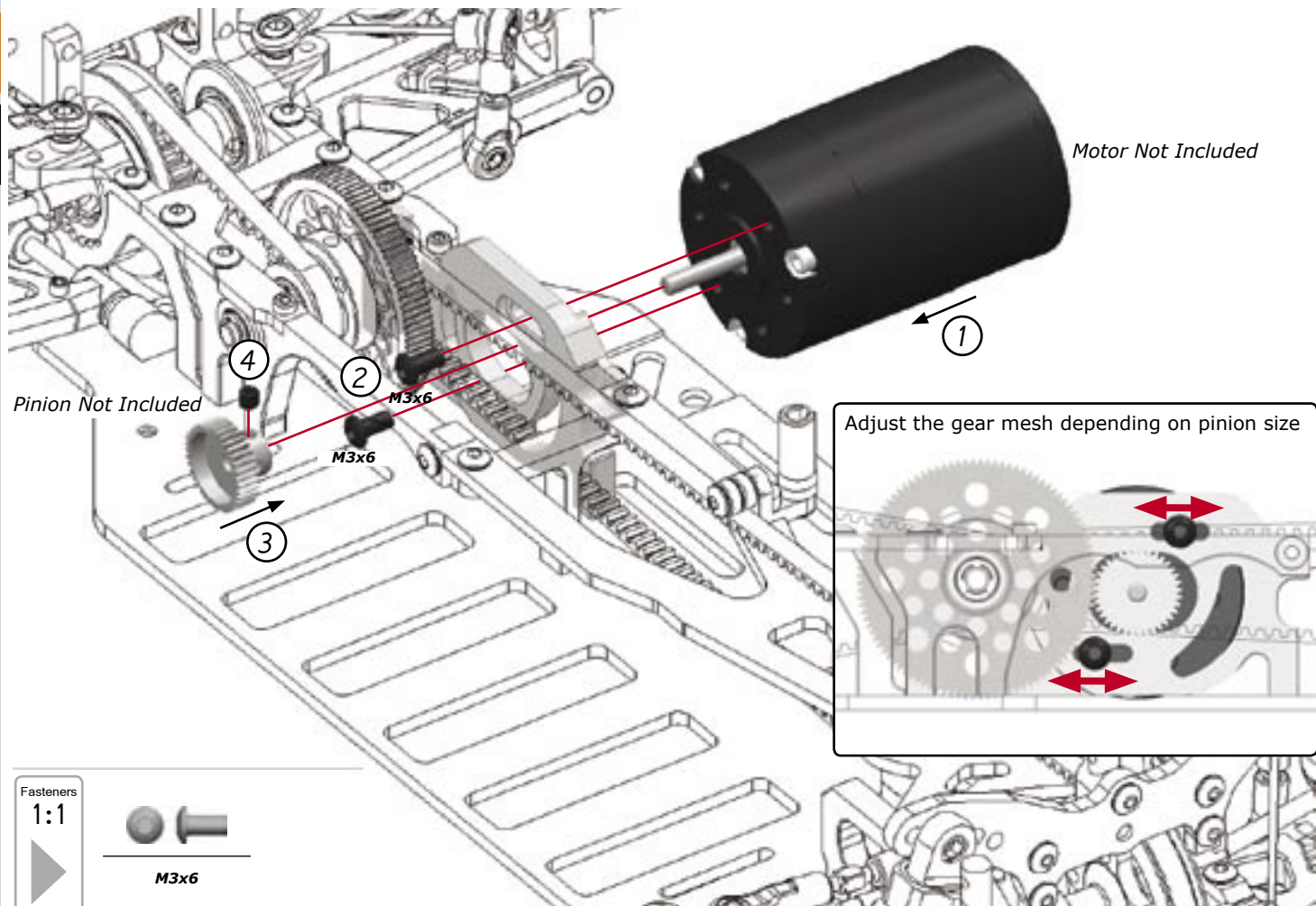
M3x8

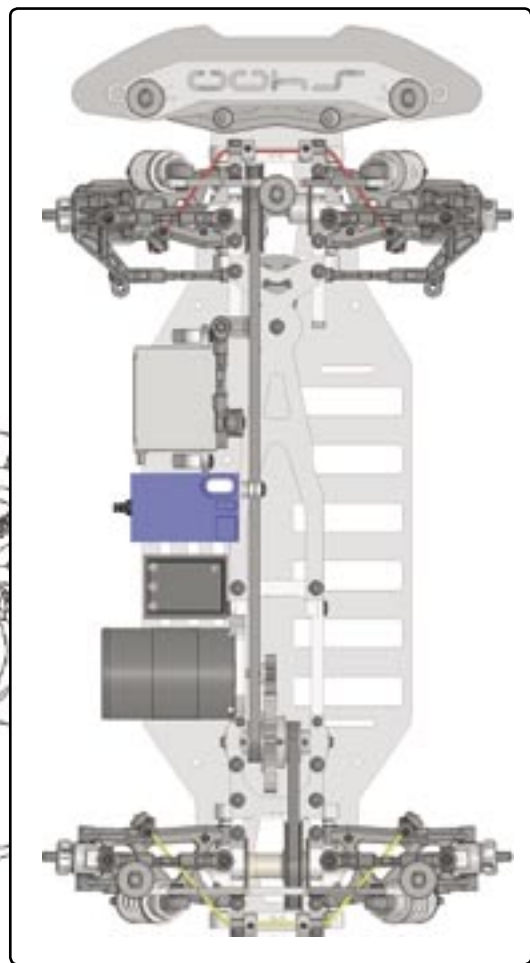
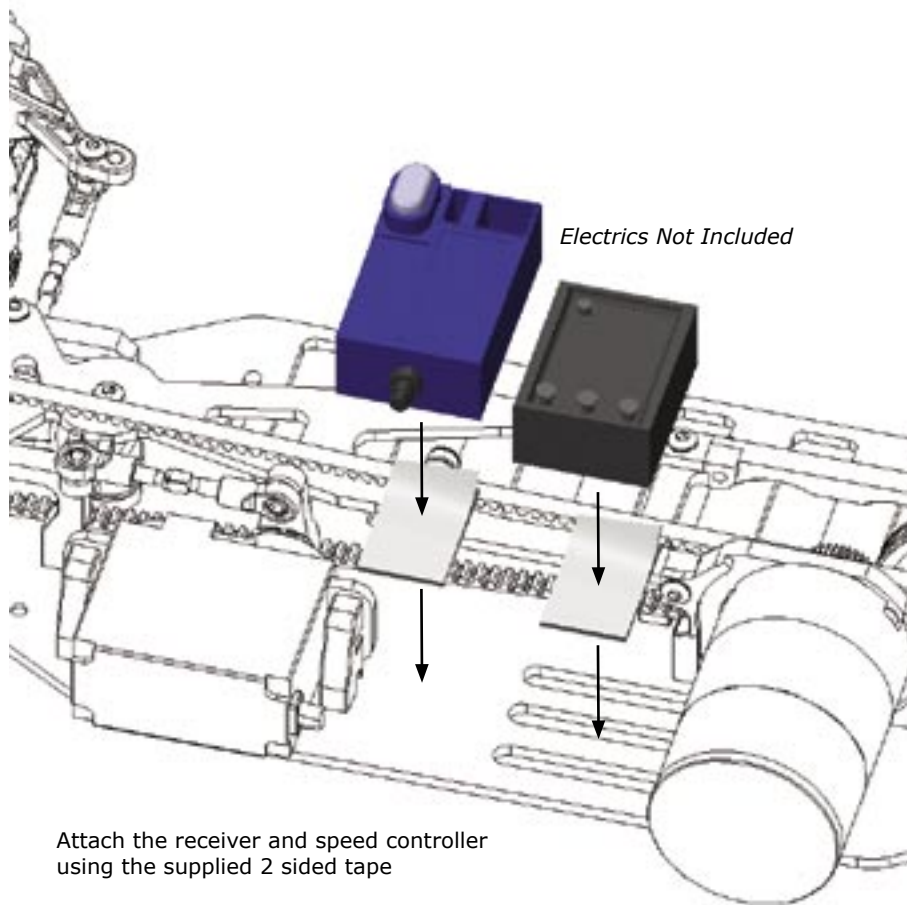
③

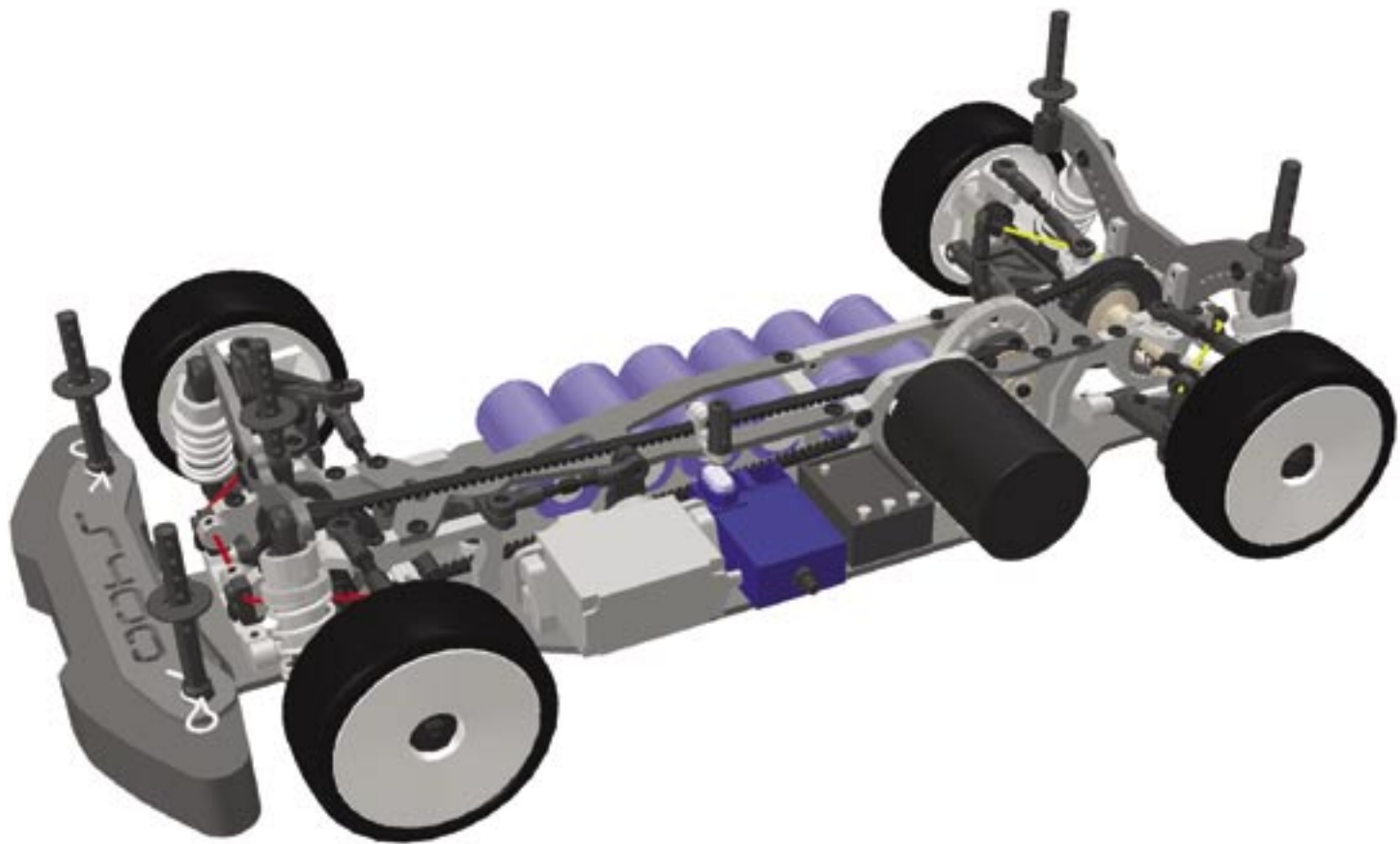
M3x8

M3x8

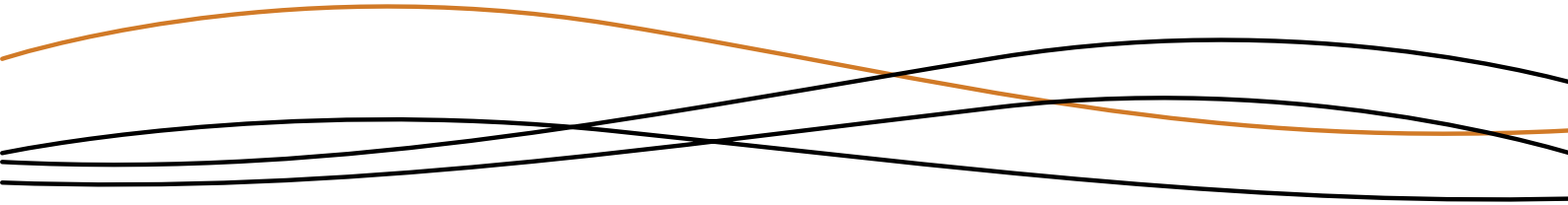




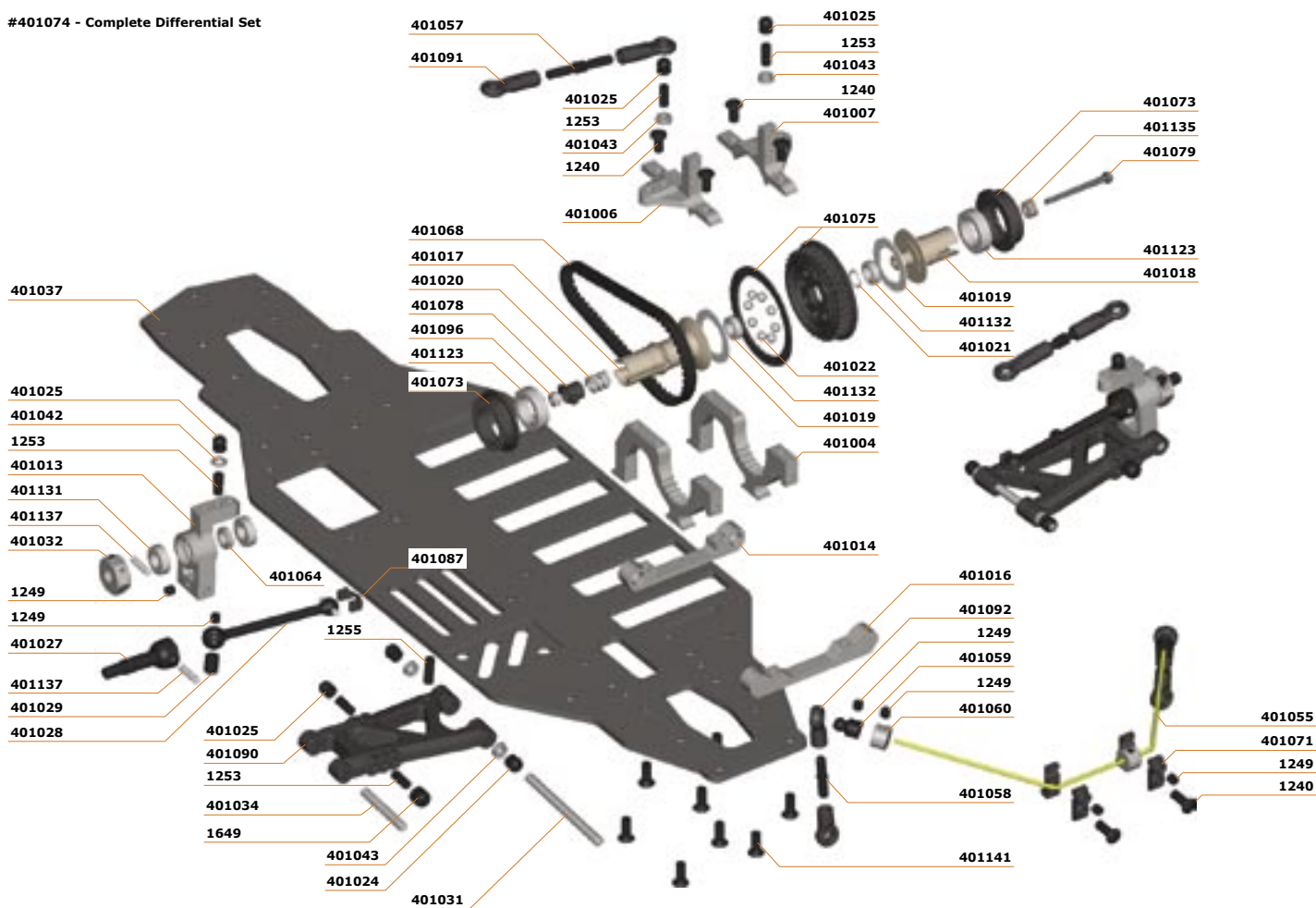


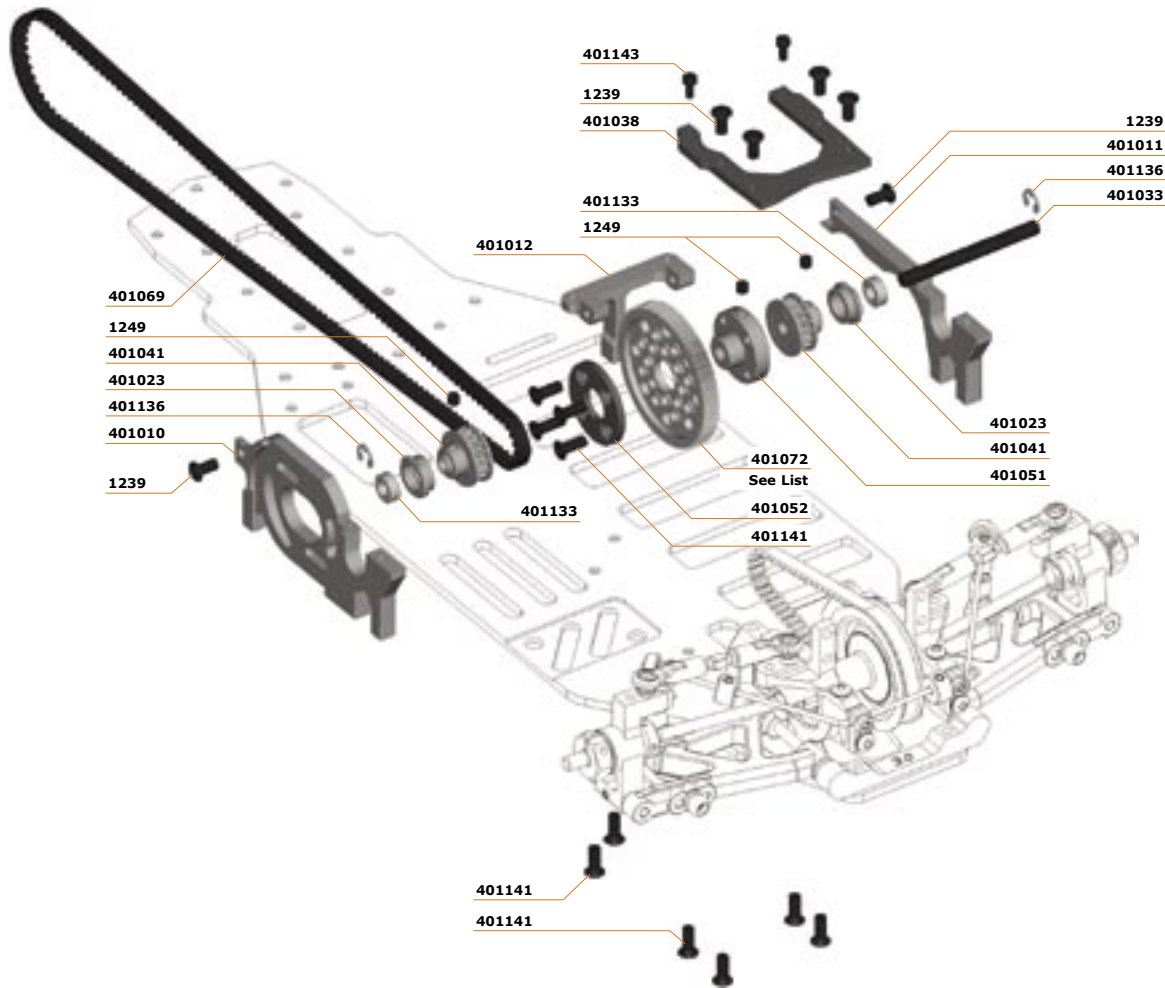


REFERENCE GUIDE

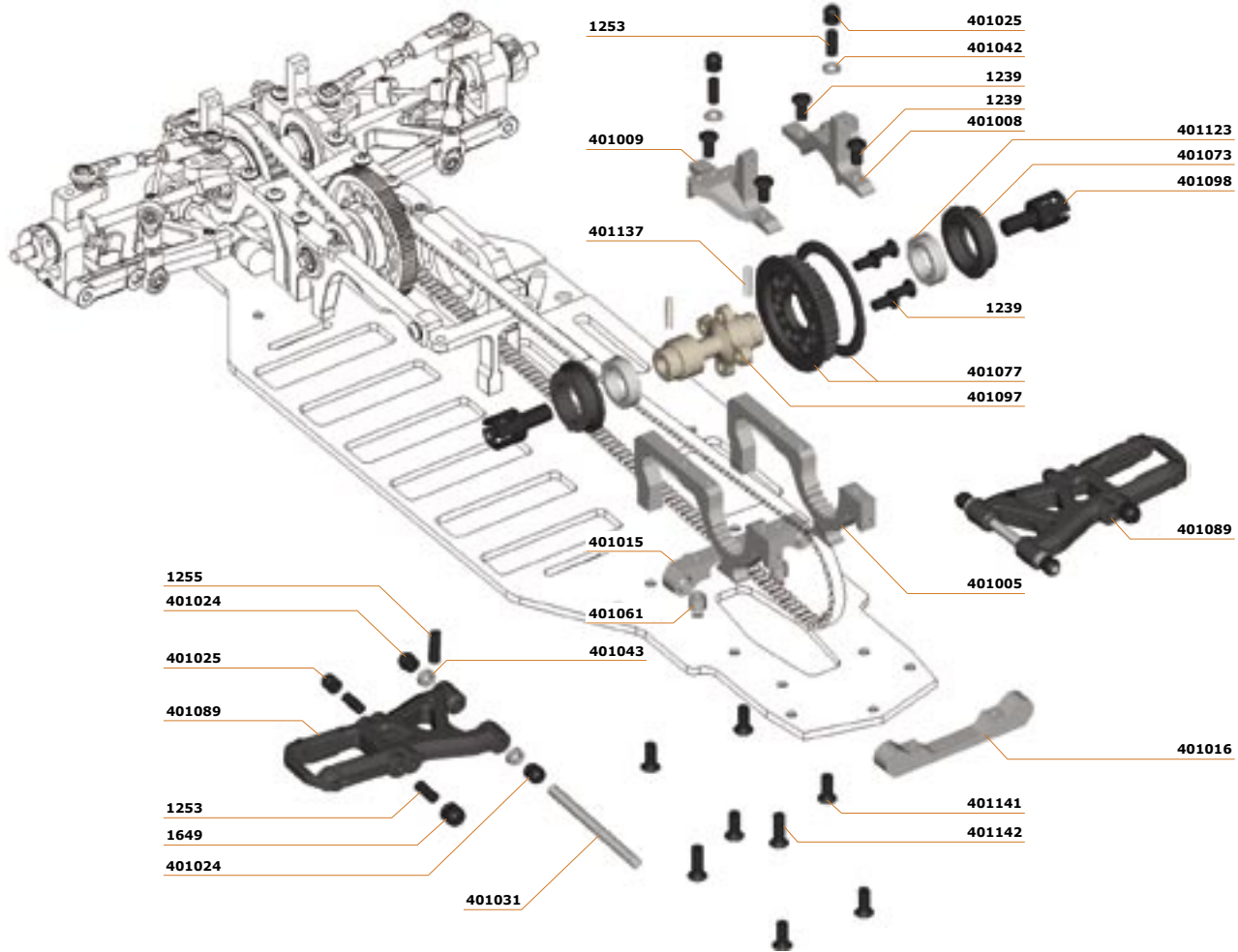


#401074 - Complete Differential Set

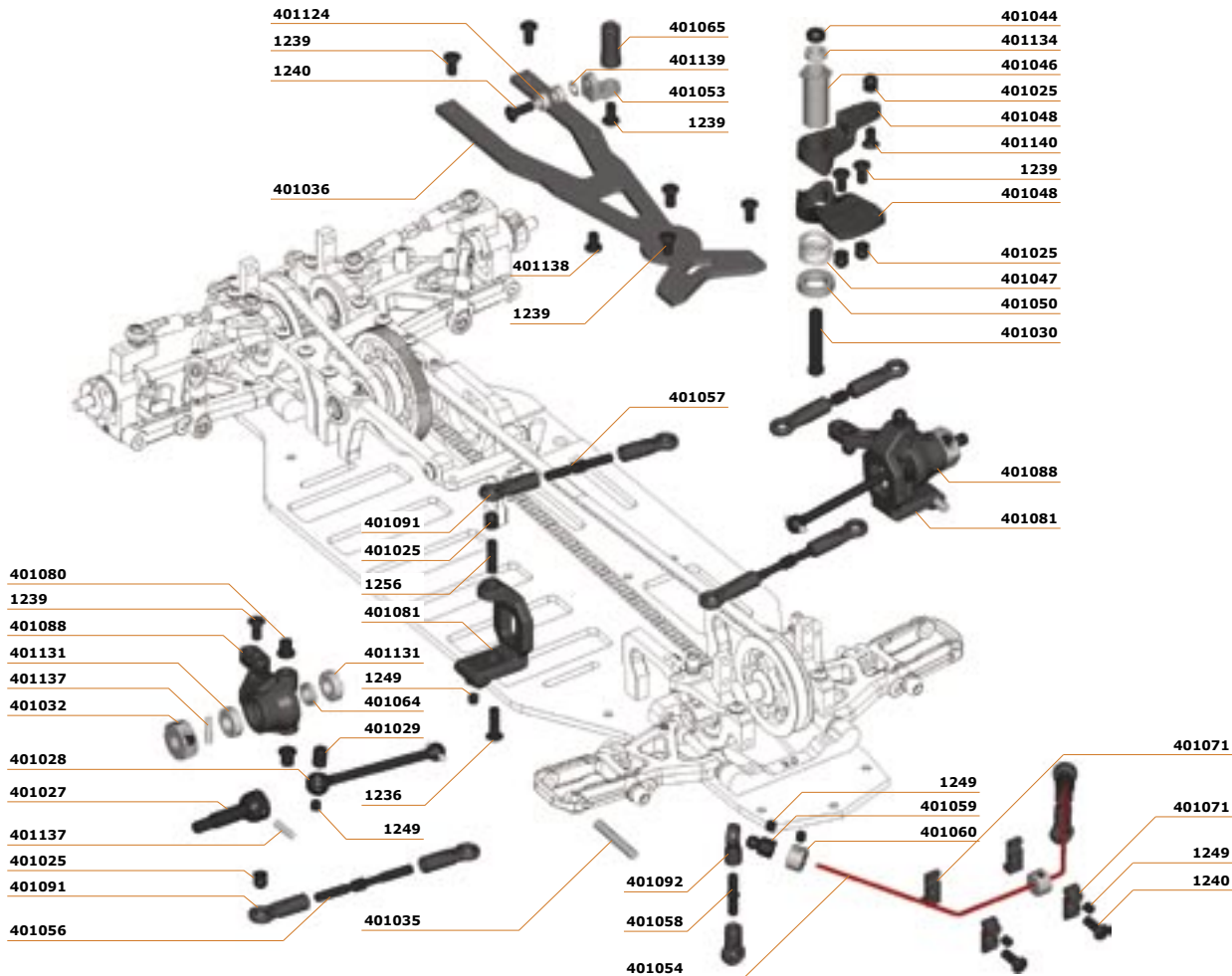


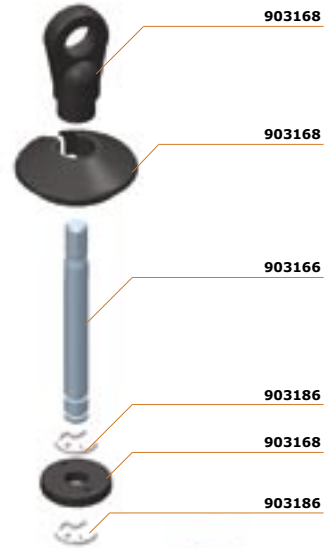
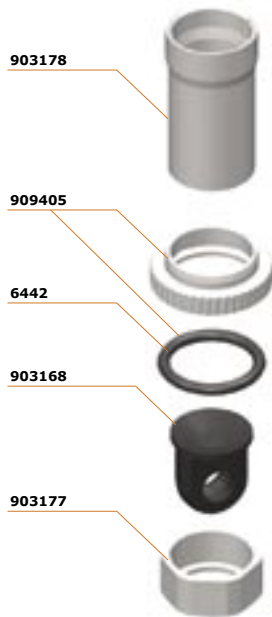


FRONT ASSEMBLY

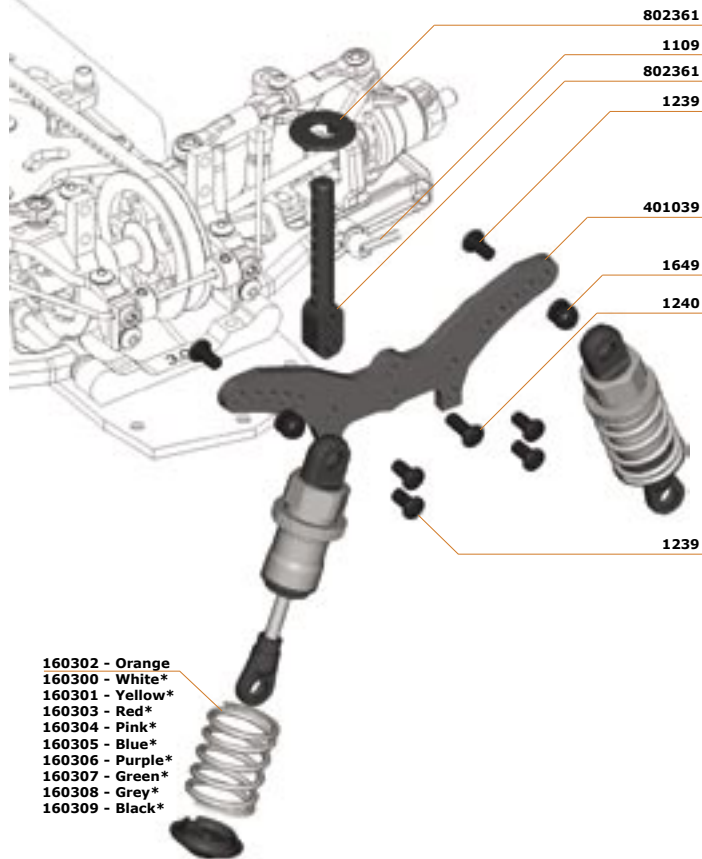


STEERING ASSEMBLY





FRONT



802361

1109

802361

1239

401039

1649

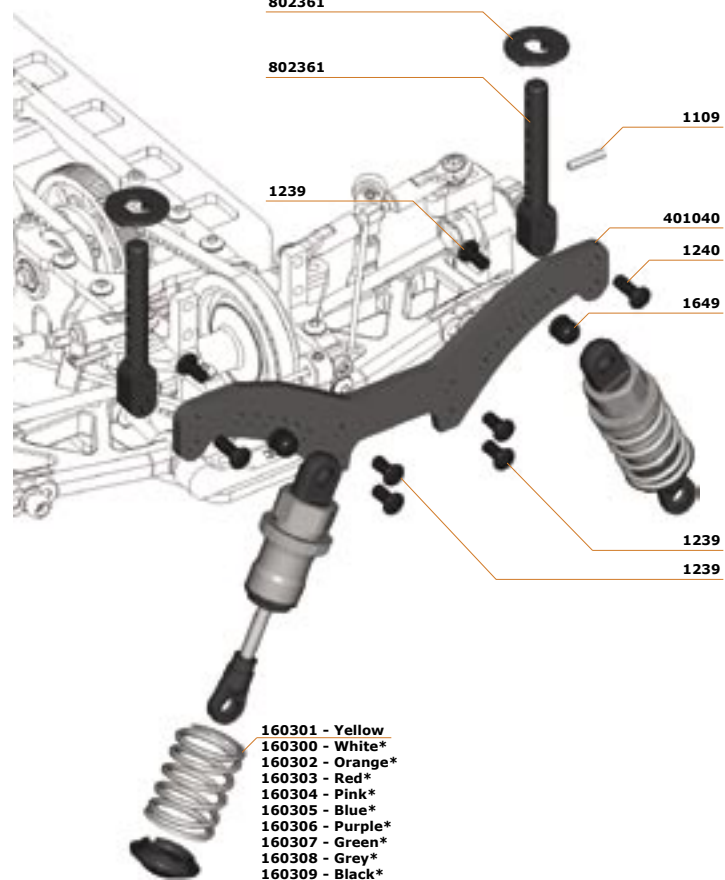
1240

1239

- 160302 - Orange
- 160300 - White*
- 160301 - Yellow*
- 160303 - Red*
- 160304 - Pink*
- 160305 - Blue*
- 160306 - Purple*
- 160307 - Green*
- 160308 - Grey*
- 160309 - Black*

* Optional

REAR



802361

802361

1239

1109

401040

1240

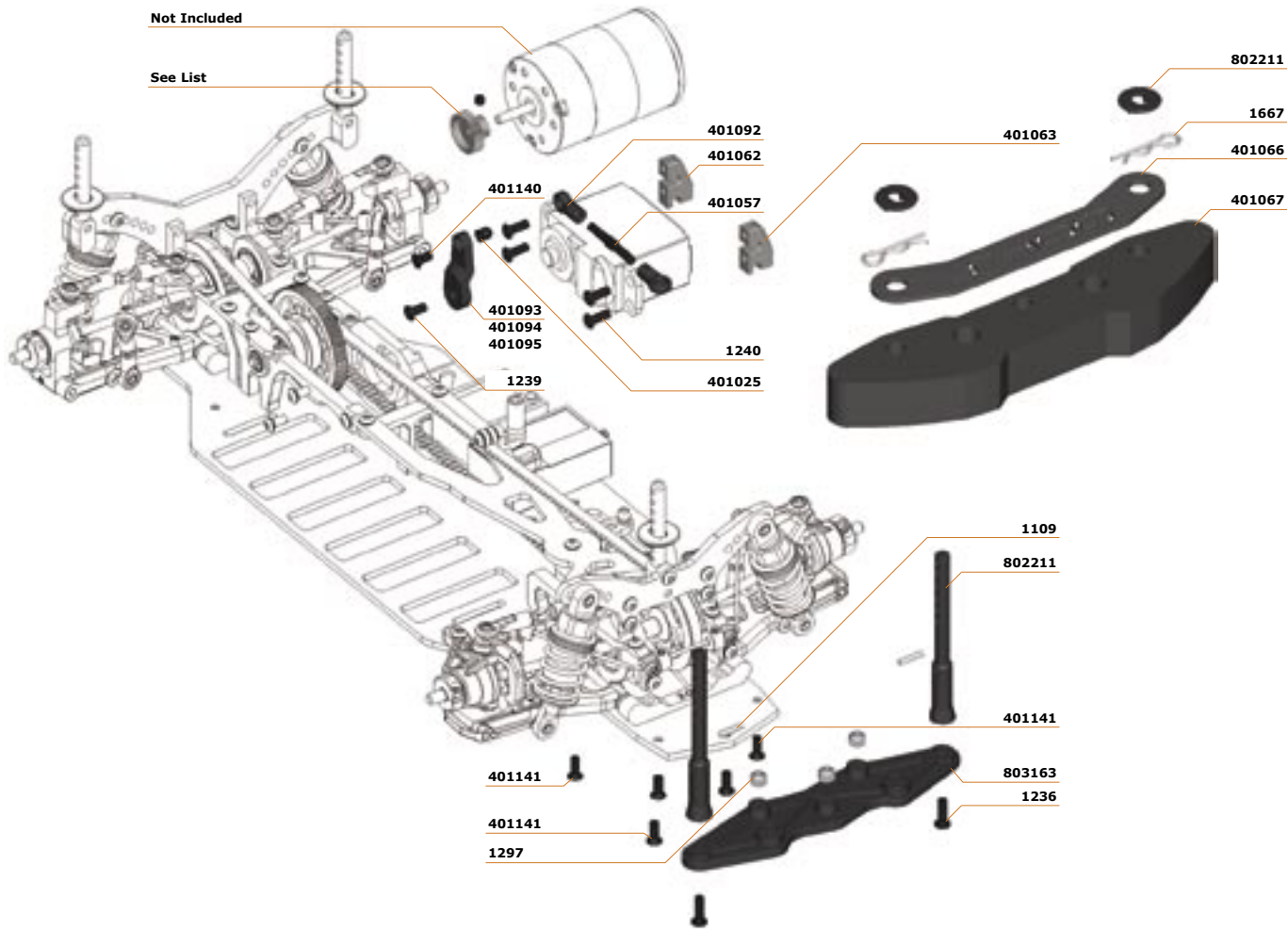
1649

1239

1239

- 160301 - Yellow
- 160300 - White*
- 160302 - Orange*
- 160303 - Red*
- 160304 - Pink*
- 160305 - Blue*
- 160306 - Purple*
- 160307 - Green*
- 160308 - Grey*
- 160309 - Black*

* Optional



MANUALS / DECALS

401001	Manual / Reference guide
401002	Set-up guide S400
401003	Decal S400 (2)

REAR ASSEMBLY

1649	Pivot ball 5.8mm (20)
401004	Bearing block RR alu
401006	Bearing block RR-UP-L alu
401007	Bearing block RR-UP-R alu
401013	Upright RR alu (2)
401014	Suspension bracket RR 0
401016	Suspension bracket RR 3
401017	Diff axle RR-L
401018	Diff axle RR-R
401019	Diff plate (2)
401020	Diff spring
401021	Diff ring 5x6x2
401022	Ball 3mm (10)
401024	Pivot ball 5mm (10)
401025	Pivot ball uni 4.5mm (20)
401026	CVD-wheel-axle set (2)
401027	CVD-wheel-axle (2)
401028	CVD-driveshaft (2)
401029	CVD-insert (2)
401031	Pivot pin 3mm (4)
401032	Wheel-adaptor hex (4)
401034	Pivot pin upright (2)
401037	Chassis carbon 2.5mm
401042	Bushing 3x5x1 (4)
401043	Bushing 3x5x2 (10)
401055	Anti-roll bar RR 1.2mm
401057	Rod 26mm steel (5)
401058	Anti-roll bar rod (4)
401059	Anti-roll bar ball (4)
401060	Anti-roll bar collar (4)
401064	Bearing bushing 5x8x2 (4)
401068	Belt 177T
401070	Roll bar adjuster
401071	Roll bar holder
401073	Bearing eccentric
401074	Diff complete set
401075	Diff pulley & shim 35T
401078	Diff-nut holder
401079	Diff screw
401087	Blades drive shaft (8)
401090	Wishbone RR (2)
401091	Ball-joint (12)
401092	Ball-joint short (10)
401096	Nut nylock L02M2

211013	Pin 2x10 (10)
801217	Wheel nut steel (4)

CENTRAL ASSEMBLY

401010	Engine mount alu
401011	Mid-shaft bracket R alu
401012	Top-plate holder alu
401023	Bushing 8x10 (2)
401033	Middle shaft
401038	Top plate carbon RR
401041	Pulley 16T / shim alu
401051	Main gear holder
401052	Main gear plate
401069	Belt 501T
401072	Spur gear 102T

FRONT ASSEMBLY

1649	Pivot ball 5.8mm (20)
401005	Bearingblock FR alu
401008	Bearingblock FR-UP-L alu
401009	Bearingblock FR-UP-R alu
401015	Suspension bracket RR 1
401016	Suspension bracket RR 3
401024	Pivot ball 5mm (10)
401025	Pivot ball uni 4.5mm (20)
401031	Pivot pin 3mm (4)
401137	Pin 2x10 (10)
401042	Bushing 3x5x1 (4)
401043	Bushing 3x5x2 (10)
401061	Bushing 3x5x4 (2)
401073	Bearing eccentric
401076	Diff pulley shim 35T
401077	Pulley one-way 35T
401089	Wishbone FR (2)
401097	Solid axle FR alu
401098	Drive adaptor solid axle (2)

LINKAGE ASSEMBLY

401025	Pivot ball uni 4.5mm (20)
401026	CVD-wheel-axle set (2)
401027	CVD-wheel-axle (2)
401028	CVD-driveshaft (2)
401029	CVD-insert (2)
401030	Servo saver axle
401032	Wheel-adap hex (4)
401035	Pivot pin C-hub (2)
401036	Top plate carbon 1.5mm
401044	Bushing 4x6x2 (1)

401045	Servo-saver set
401046	Servo-saver shaft
401047	Servo-saver spring
401048	Servo saver LW / UP
401050	Servo-saver nut
401053	Belt tensioner
401054	Anti-roll bar FR 1.4mm
401056	Track rod steel (2)
401057	Rod 26mm steel (5)
401058	Anti-roll bar rod (4)
401059	Anti-roll bar ball (4)
401060	Anti-roll bar collar (4)
401064	Bearing bushing 5x8x2 (4)
401065	Antenna-holder
401070	Roll bar adjuster
401071	Roll bar holder
401080	Bushing C-hub (4)
401081	C-hub L+R 2
401083	C-hub L+R 4
401085	C-hub L+R 6
401088	Steering block FR-L+R
401091	Ball-joint (12)
401092	Ball-joint short (10)
401137	Pin 2x10 (10)
401139	Shim 3x5x0.3
801217	Wheel nut steel (4)

SHOCK ASSEMBLY & MOUNTING

1649	Pivot ball 5.8mm (20)
401039	Shock tower carbon FR
401040	Shock tower carbon RR
401137	Pin 2x10 (10)
802211	Body mount nylon front
903164	Shock RCC short (2)
903251	Spring yellow L23 (2.8/16) (2)
903252	Spring orange L23 (3.4/19.5) (2)

FINAL ASSEMBLY

1667	Body-clip medium (10)
401025	Pivot ball uni 4.5mm (20)
401057	Rod 26mm steel (5)
401062	Servo holder 1
401063	Servo holder 2
401066	Bumper plate UP carbon
401067	Bumper foam
401092	Ball-joint short (10)
401093	Servo lever 23T
401094	Servo lever 24T
401095	Servo lever 25T

802361 Body mount nylon rear
803163 Bumper plate lower

FASTENERS

401136 E-clip 3mm (10)
401138 Screw RH M3x5
1239 Screw RH M3x6
1240 Screw RH M3x8
1236 Screw RH M3x10
1249 Set-screw M3x3
1253 Set-screw M3x8
1255 Set-screw M3x10
1256 Set-screw M3x12
1297 Nut nylock M3
401139 Shim 3x5x0.3
401140 Screw CSH M3x6
401141 Screw CSH M3x8
401142 Screw CSH M3x10
401143 Screw M2x6

BALL BEARINGS

401123 Ball bearing 10x15 (2)
401124 Ball bearing 3x6 (2)
401131 Ball bearing 5x10 (2)
401132 Ball bearing 5x8 (2)
401133 Ball bearing 4x8 (2)
401134 Ball bearing 4x7 (2)
401135 Thrust bearing 2x6x2

GENERAL

1460 Camber gauge
1605 Antenna rods green (2)
1606 Antenna rods black (2)
1607 Antenna rods blue (2)
1608 Antenna rods orange (2)
1609 Antenna rods purple (2)
1680 One-way lube 25ml
1682 Bearing oil 25 ml
1690 Cleaning putty 200gram
1683 Premium Lube 25ml

SHOCK-OIL

1670 Silicone shock-oil 20W (100cst)
1674 Silicone shock-oil 25W (180cst)
1671 Silicone shock-oil 30W (350cst)
1675 Silicone shock-oil 35W (600cst)
1672 Silicone shock-oil 40W (1000cst)

1676 Silicone shock-oil 45W (1400cst)
1673 Silicone shock-oil 50W (2000cst)

SHOCKS ABSORBERS

903164 Shock RCC short (2)
903166 Piston rod FR (2)
903168 Nylon parts frame shocks
903169 Bottom insert shock (2)
903171 O-ring 10x1 (4)
903175 Foam insert (4)
903177 Nut shock alu (4)
903178 Body alu shock FR (2)
903186 Clip + washer set RCC shocks (12)
903200 Complete O-ring set
909405 Nut adj alu + o-ring (4)
909407 O-ring 3.8x1.5 (4)

SHOCK SPRINGS

160300 Spring white L23 (2.3/13) (2)
160301 Spring yellow L23 (2.8/16) (2)
160302 Spring orange L23 (3.4/19.5) (2)
160303 Spring red L23 (4.1/23.5) (2)
160304 Spring pink L23 (4.0/28) (2)
160305 Spring blue L23 (5.8/33) (2)
160306 Spring purple L23 (6.8/39) (2)
160307 Spring green L23 (8/45.5) (2)
160308 Spring grey L23 (9/51.5) (2)
160309 Spring black L23 (10/57) (2)

MERCHANDISING

1865 Lanyard Serpent grey-silver
1866 Decal-sheet Serpent promotional A4
1868 Pit-towel Serpent orange 50x70cm
1872 Rucksack Serpent (35x45cm) black
1873 Rucksack Serpent (48x61cm) black
1883 Banner Serpent S-logo 200x80 nylon
1998 Serpent Team cap black Deluxe

OPTIONALS

401099 Suspension bracket RR 2
401100 Diff-set FR
401101 Diff axle FR-L
401102 Diff axle FR-R
401103 Diff pulley 35T/shim
401104 One-way set mid
401105 Pulley/shim one-way 16T
401106 Anti-roll bar FR 1.2

401107 Anti-roll bar FR 1.6
401108 Anti-roll bar RR 1.4
401109 Anti-roll bar RR 1.6
401110 One-way axle-set FR
401111 Driveshaft adaptor one-way (2)
401112 Solid axle RR
401113 Chassis carbon 6 cell 3.4mm
401114 Chassis carbon 5 cell 2.5mm
401115 Upright L+R 1 deg
401117 Upright L+R 2 deg
401119 Top plate carbon stiff
401120 Top plate RR carbon stiff
401121 Stiffener post alu (2)
401122 Ball carbide 3mm (10)
401127 Drive-shafts CVD alu
401128 Middle shaft alu
401129 Wheel adaptor clamp -0.5 (4)
401130 Rod 26mm alu (2)
401145 Carbon Conversion Kit Foam
802212 Body-mount alu (2 long + 1 short)
802362 Body-mount alu short rear (2)
903226 Shock rod RCC short Ti-Ni (2)
903232 Shock spring-cup alu isl (4)
903240 Shock spring-cup nylon isl (4)

PINON GEARS 48P

401201 Perfect pinion gear 48P 16T
401202 Perfect pinion gear 48P 17T
401203 Perfect pinion gear 48P 18T
401204 Perfect pinion gear 48P 19T
401205 Perfect pinion gear 48P 20T
401206 Perfect pinion gear 48P 21T
401207 Perfect pinion gear 48P 22T
401208 Perfect pinion gear 48P 23T
401209 Perfect pinion gear 48P 24T
401210 Perfect pinion gear 48P 25T
401211 Perfect pinion gear 48P 26T
401212 Perfect pinion gear 48P 27T
401213 Perfect pinion gear 48P 28T
401214 Perfect pinion gear 48P 29T
401215 Perfect pinion gear 48P 30T
401216 Perfect pinion gear 48P 31T
401217 Perfect pinion gear 48P 32T
401218 Perfect pinion gear 48P 33T
401219 Perfect pinion gear 48P 34T
401220 Perfect pinion gear 48P 35T
401221 Perfect pinion gear 48P 36T
401222 Perfect pinion gear 48P 37T
401223 Perfect pinion gear 48P 38T
401224 Perfect pinion gear 48P 39T

401225 Perfect pinion gear 48P 20T

PINON GEARS 64P

401226 Perfect pinion gear 64P 18T
401227 Perfect pinion gear 64P 19T
401228 Perfect pinion gear 64P 20T
401229 Perfect pinion gear 64P 21T
401230 Perfect pinion gear 64P 22T
401231 Perfect pinion gear 64P 23T
401232 Perfect pinion gear 64P 24T
401233 Perfect pinion gear 64P 25T
401234 Perfect pinion gear 64P 26T
401235 Perfect pinion gear 64P 27T
401236 Perfect pinion gear 64P 28T
401237 Perfect pinion gear 64P 29T
401238 Perfect pinion gear 64P 30T
401239 Perfect pinion gear 64P 31T
401240 Perfect pinion gear 64P 32T
401241 Perfect pinion gear 64P 33T
401242 Perfect pinion gear 64P 34T
401243 Perfect pinion gear 64P 35T
401244 Perfect pinion gear 64P 36T
401245 Perfect pinion gear 64P 37T
401246 Perfect pinion gear 64P 38T
401247 Perfect pinion gear 64P 39T
401248 Perfect pinion gear 64P 40T
401249 Perfect pinion gear 64P 41T
401250 Perfect pinion gear 64P 42T
401251 Perfect pinion gear 64P 43T
401252 Perfect pinion gear 64P 44T
401253 Perfect pinion gear 64P 45T
401254 Perfect pinion gear 64P 46T
401255 Perfect pinion gear 64P 47T
401256 Perfect pinion gear 64P 48T
401257 Perfect pinion gear 64P 49T
401258 Perfect pinion gear 64P 50T
401259 Perfect pinion gear 64P 51T
401260 Perfect pinion gear 64P 52T

SPUR GEARS 48P

401261 Perfect spur gear 48P 65T
401262 Perfect spur gear 48P 66T
401263 Perfect spur gear 48P 67T
401264 Perfect spur gear 48P 68T
401265 Perfect spur gear 48P 69T
401266 Perfect spur gear 48P 70T
401267 Perfect spur gear 48P 71T
401268 Perfect spur gear 48P 72T
401269 Perfect spur gear 48P 73T

401270 Perfect spur gear 48P 74T
401271 Perfect spur gear 48P 75T
401272 Perfect spur gear 48P 76T
401273 Perfect spur gear 48P 77T
401274 Perfect spur gear 48P 78T
401275 Perfect spur gear 48P 79T
401276 Perfect spur gear 48P 80T
401277 Perfect spur gear 48P 81T
401278 Perfect spur gear 48P 82T
401279 Perfect spur gear 48P 83T
401280 Perfect spur gear 48P 84T
401281 Perfect spur gear 48P 85T
401282 Perfect spur gear 48P 86T
401283 Perfect spur gear 48P 87T
401284 Perfect spur gear 48P 88T
401285 Perfect spur gear 48P 89T
401286 Perfect spur gear 48P 90T
401287 Perfect spur gear 48P 91T
401288 Perfect spur gear 48P 92T
401289 Perfect spur gear 48P 93T
401290 Perfect spur gear 48P 94T
401291 Perfect spur gear 48P 95T
401292 Perfect spur gear 48P 96T

SPUR GEARS 64P

401293 Perfect spur gear 64P 87T
401294 Perfect spur gear 64P 88T
401295 Perfect spur gear 64P 89T
401296 Perfect spur gear 64P 90T
401297 Perfect spur gear 64P 91T
401298 Perfect spur gear 64P 92T
401299 Perfect spur gear 64P 93T
401300 Perfect spur gear 64P 94T
401301 Perfect spur gear 64P 95T
401302 Perfect spur gear 64P 96T
401303 Perfect spur gear 64P 97T
401304 Perfect spur gear 64P 98T
401305 Perfect spur gear 64P 99T
401306 Perfect spur gear 64P 100T
401307 Perfect spur gear 64P 101T
401308 Perfect spur gear 64P 102T
401309 Perfect spur gear 64P 103T
401310 Perfect spur gear 64P 104T
401311 Perfect spur gear 64P 105T
401312 Perfect spur gear 64P 106T
401313 Perfect spur gear 64P 107T
401314 Perfect spur gear 64P 108T
401315 Perfect spur gear 64P 109T
401316 Perfect spur gear 64P 110T
401317 Perfect spur gear 64P 111T

401318 Perfect spur gear 64P 112T
401319 Perfect spur gear 64P 113T
401320 Perfect spur gear 64P 114T
401321 Perfect spur gear 64P 115T
401322 Perfect spur gear 64P 116T
401323 Perfect spur gear 64P 117T
401324 Perfect spur gear 64P 118T
401325 Perfect spur gear 64P 119T
401326 Perfect spur gear 64P 120T
401327 Perfect spur gear 64P 121T
401328 Perfect spur gear 64P 122T
401329 Perfect spur gear 64P 123T
401330 Perfect spur gear 64P 124T
401331 Perfect spur gear 64P 125T
401332 Perfect spur gear 64P 126T
401333 Perfect spur gear 64P 127T
401334 Perfect spur gear 64P 128T
401335 Perfect spur gear 64P 129T
401336 Perfect spur gear 64P 130T

BATTERY TAPE

401401 Strapping tape (white) 50m x 19mm
401402 Strapping tape (blue) 50m x 17mm
401403 Strapping tape (black) 50m x 17mm
401404 Strapping tape (purple) 50m x 17mm
401405 Strapping tape (pink) 50m x 17mm



S400

SERPENT

Serpent Model Racing Cars BV
Spaarneweg 12E, 2142 EN, Cruquius
The Netherlands, Europe